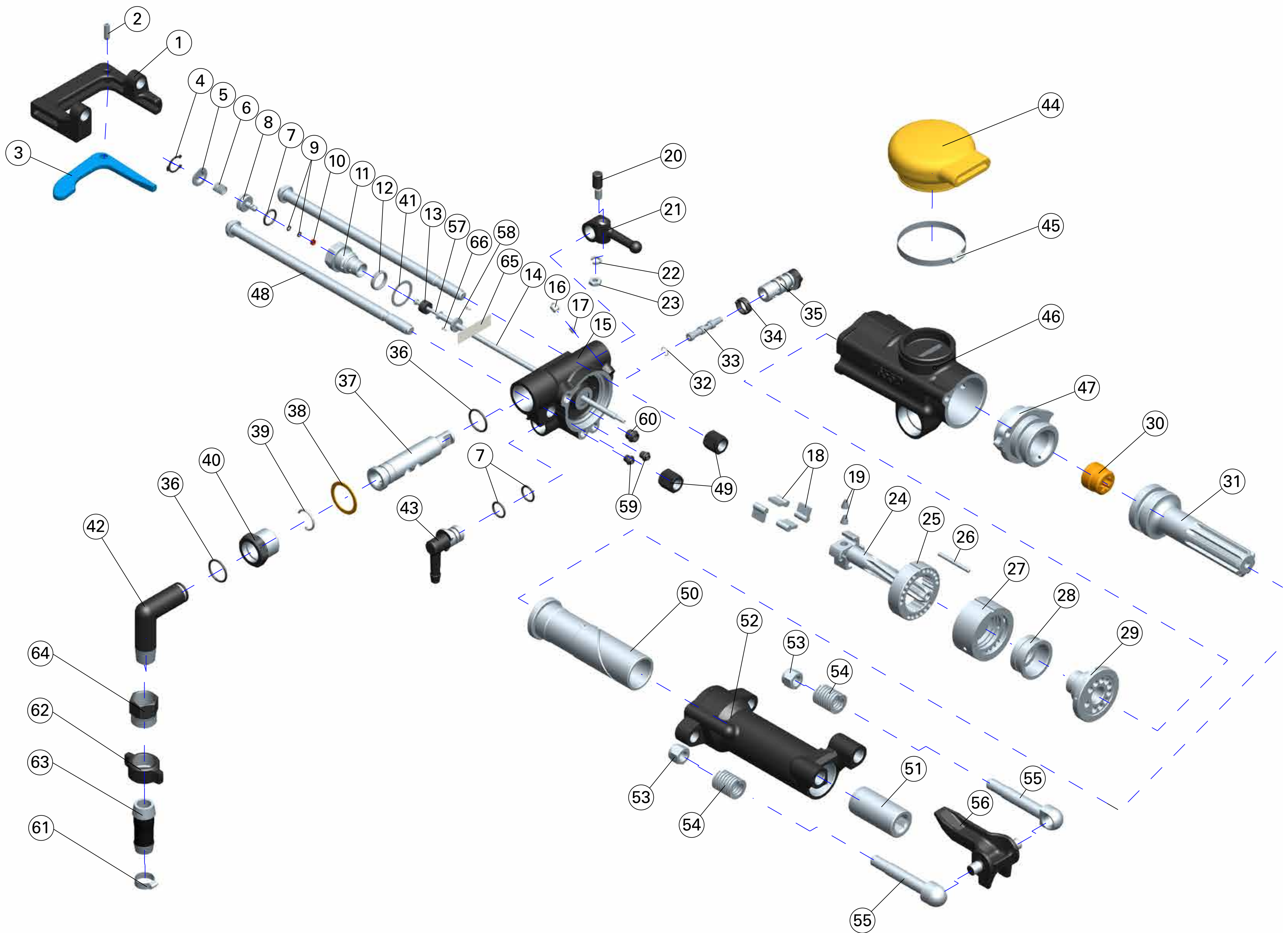


# Secoroc 7655D

## Pusher leg rock drill



Ref.	Description	Qty	Prod. No.	Product code
1	Handle	1	96000819	9600-1-3312310016
2	Elastic pin	1	96000527	9605-1-3312310708
3	Trigger	1	96000820	9600-1-3312310017
4	Elastic ring	1	96000183	9605-1-3312310173
5	Spring cap	1	96000169	9605-1-3312310159
6	Spring	1	96000170	9605-1-3312310160
7	O-ring	3	96000482	9605-1-3312310627
8	Water valve	1	96000173	9605-1-3312310163
9	O-ring	2	96000489	9605-1-3312310642
10	Rubber pad	1	96000175	9605-1-3312310165
11	Water valve body	1	96000171	9605-1-3312310161
12	O-ring	1	96000181	9605-1-3312310171
13	Water tube sleeve	1	96000835	9601-1-3312310035
14	Air tube	1	96000837	9601-1-3312310037
15	Back head	1	96000834	9601-1-3312310034
16	Lock pin	1	96000180	9605-1-3312310170
17	Spring	1	96000179	9605-1-3312310169
18	Ratchet pawl	4	96000166	9605-1-3312310155
19	Conical spring	4	96000167	9605-1-3312310156
20	Lock pin	1	96000177	9605-1-3312310167
21	Operation handle	1	96000178	9605-1-3312310168
22	Standard spring pad	1	96000534	9605-1-3312310716

Ref.	Description	Qty	Prod. No.	Product code
23	Hexagon thin nut	1	96000524	9605-1-3312310704
24	Rifle bar	1	96000102	9602-1-3312310075
25	Ratchet	1	96000805	9600-1-3312310000
26	Lock pin	1	96000839	9601-1-3312310039
27	Valve chest	1	96000840	9601-1-3312310040
28	Valve	1	96000841	9601-1-3312310041
29	Valve sleeve	1	96000842	9601-1-3312310042
30	Rifle nut	1	96000814	9600-1-3312310009
31	Piston	1	96000843	9601-1-3312310044
32	Spring fixing ring	1	96000831	9600-1-3312310028
33	Change valve	1	96000827	9600-1-3312310024
34	Expansion ring	1	96000830	9600-1-3312310027
35	Pressure regulating valve	1	96000828	9600-1-3312310025
36	O ring	2	96000486	9605-1-3312310633
37	Control valve	1	96000090	9601-1-3312310048
38	Pad	1	96000174	9605-1-3312310164
39	Check ring	1	96000182	9605-1-3312310172
40	Air tube nut	1	96000823	9600-1-3312310020
41	Pad	1	96000184	9605-1-3312310174
42	Air tube swivel	1	96000825	9600-1-3312310022
43	Water tube connector	1	96000826	9600-1-3312310023
44	Silencer	1	96000137	9603-1-3312310125

Ref.	Description	Qty	Prod. No.	Product code
45	Hoop	1	96000542	9605-1-3312310725
46	Cylinder	1	96000838	9601-1-3312310038
47	Guide sleeve	1	96000844	9601-1-3312310045
48	Side bolt	2	96000151	9603-1-3312310140
49	Hexagon thick nut	2	96000518	9605-1-3312310697
50	Rotation sleeve	1	96000089	9601-1-3312310047
51	Shank sleeve	1	96000168	9605-1-3312310157
52	Front head	1	96000845	9601-1-3312310046
53	Hexagon lock nut	2	96000531	9605-1-3312310713
54	Retainer spring	2	96000818	9600-1-3312310013
55	Retainer bolt	2	96000634	9600-1-3312311820
56	Retainer	1	96000635	9600-1-3312311821
57	Water tube	1	96000836	9601-1-3312310036
58	Air tube pad	1	96000176	9605-1-3312310166
59	Small seal	2	96000543	9605-1-3312310726
60	Large seal	1	96000544	9605-1-3312310727
61	Hoop	1	96000540	9605-1-3312310723
62	Wing nut	1	96000218	964H-1-3312310213
63	Conical hose nipple	1	96000222	9605-1-3312310219
64	Pipe connector	1	96000223	9605-1-3312310220

NOTE! Tightening torque of side bolt nuts should be 80 Nm.