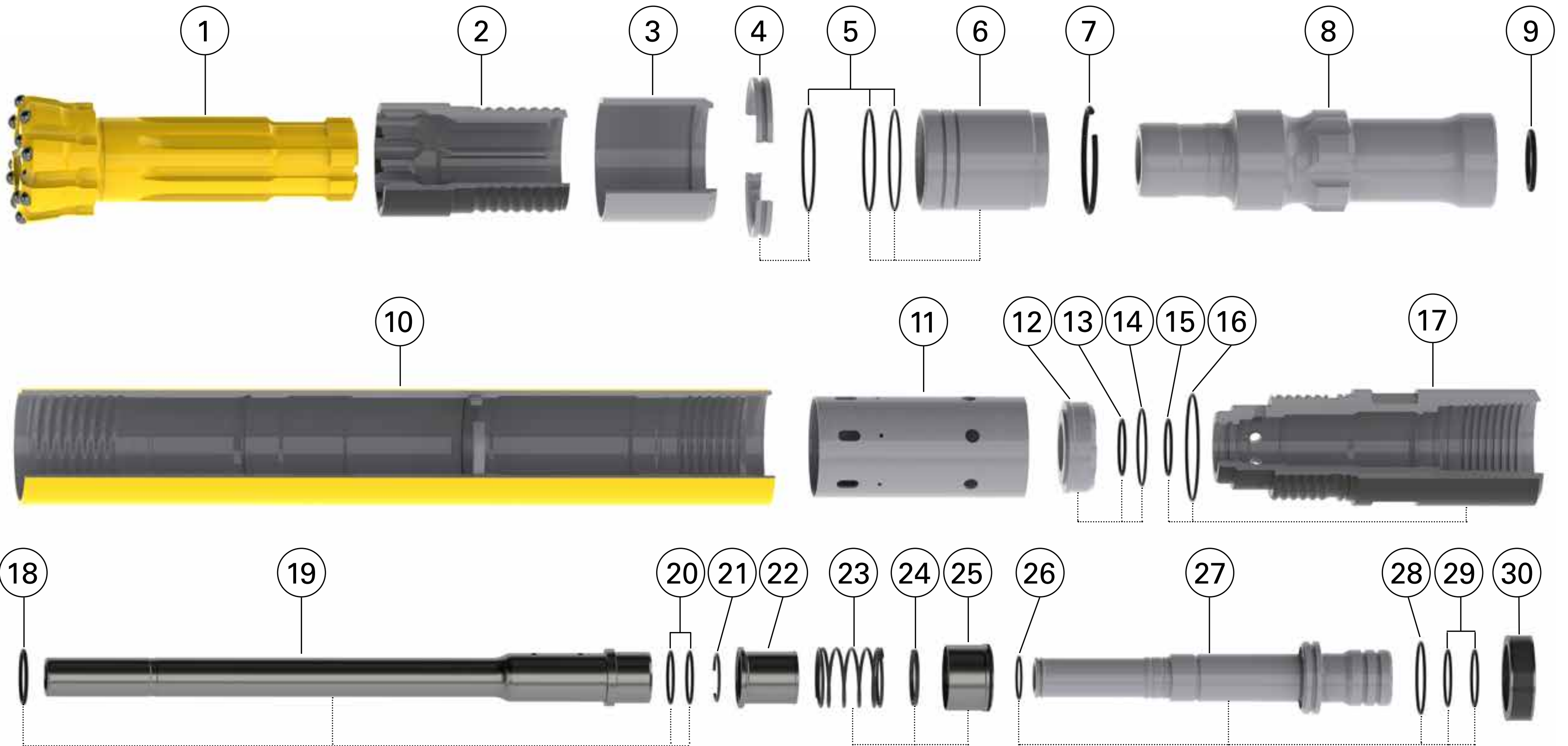


Secoroc RC 50

Reverse Circulation hammer



Ref.	Part	Prod. No.	Product code
1	Bit concave extra flushing 136 mm bit 140 mm bit 140 mm bit 143 mm bit, 19 mm gauge buttons 143 mm bit 146 mm bit 152 mm bit 165 mm bit	90516434 90516432 90029025 90003638 90516472 90516433 90516558 90516435	1EO-5136-97-7217,08-20 1EO-5140-97-7217,08-20 1EO-5140-97-7217,10-20 1EO-5143-97-7215,08-20 1EO-5143-97-7217,08-20 1EO-5146-97-7217,08-20 1EO-5152-97-7217,08-20 1EO-5165-97-7217,08-20
2	Chuck	52291887	9705-RC-00-000-97-000-001
3	Chuck sleeve 132 mm 134 mm 137 mm 139 mm 140 mm 142 mm 144 mm 147 mm 150 mm 153 mm 157 mm 163 mm	89001500 52291606 52291614 89001501 52348257 89001502 52291622 52348612 52348620 52352374 52352382 52343696	9705-RC-00-000-00-000-C32 9705-RC-00-000-00-000-C34 9705-RC-00-000-00-000-C37 9705-RC-00-000-00-000-C39 9705-RC-00-000-00-000-C40 9705-RC-00-000-00-000-C42 9705-RC-00-000-00-000-C44 9705-RC-00-000-00-000-C47 9705-RC-00-000-00-000-C50 9705-RC-00-000-00-000-C53 9705-RC-00-000-00-000-C57 9705-RC-00-000-00-000-C63
4, 5	Bit retaining ring assembly 4 Bit retaining ring (not sold separately) 5 O-ring	52292331 - 95086641	9705-RC-00-000-97-000-002 - 0663-95086641
5, 6	Bit bearing assembly 5 O-ring 6 Bit bearing (not sold separately)	52291853 95086641 -	9705-RC-00-000-97-000-022 0663-95086641 -
7	Bit bearing lock ring	52346780	9705-RC-00-000-00-000-058
8	Piston	52292018	9705-RC-00-000-97-000-005
9	Piston tail seal	52292067	9705-RC-00-000-00-000-054
10	Casing assembly	89010578	9705-RC-00-000-00-000-A04
11	Inner cylinder	52291630	9705-RC-00-000-00-000-048

Ref.	Part	Prod. No.	Product code
12, 13, 14	QL-valve assembly	52344074	9705-RC-00-000-00-000-A44
12	Valve body	-	-
13	O-ring	95137394	0663-95137394
14	O-ring	95716833	0663-95716833
15, 16, 17	Backhead assembly	52347648	9705-RC-00-66B-00-000-A20
15	O-ring	95018701	0663-95018701
16	O-ring	95086666	0663-95086666
17	Backhead	-	-
18, 19, 20	Lower inner-tube assembly	52344066	9705-RC-00-000-97-000-R95
18	Bumper ring	95136669	0663-95136669
19	Center tube	-	-
20	O-ring	95086195	0663-95086195
21	Check valve retaining ring	52346632	9705-RC-00-000-00-000-028
22	Check valve seat	52346616	9705-RC-00-000-00-000-018
23, 24, 25	Check valve assembly	52348638	9705-RC-00-000-00-000-A17
23	Spring	52346624	9705-RC-00-000-00-000-016
24	Polypack seal	-	-
25	Check valve body	52346715	9705-RC-00-000-00-000-036
26, 27, 28, 29	Upper Inner-tube assembly	52348182	9705-RC-00-66B-00-000-R94
26	O-ring bottom	95086153	0663-95086153
27	Adapter tube	-	-
28	O-ring middle	95086591	0663-95086591
29	O-ring top	95018453	0663-95018453
30	Crush ring	52341898	9705-RC-00-000-00-000-014

Complete hammer and maintenance kits	Prod. No.	Product code
RC50 Complete hammer	52292273	9705-RC-00-66B-97-000
Seal kit - Includes: 5, 9, 16, 17, 21, 27, 29, 30	52345147	0663-52345147
Service kit - Includes: QL-valve assembly (12, 13, 14), Check valve assembly (23, 24, 25) and Seal kit	52348653	9705-RC-00-000-00-000-K70
Rebuild kit - Includes: 2, 10, Backhead assembly (15, 16, 17) and service kit	52351426	9705-RC-00-66B-97-000-K40