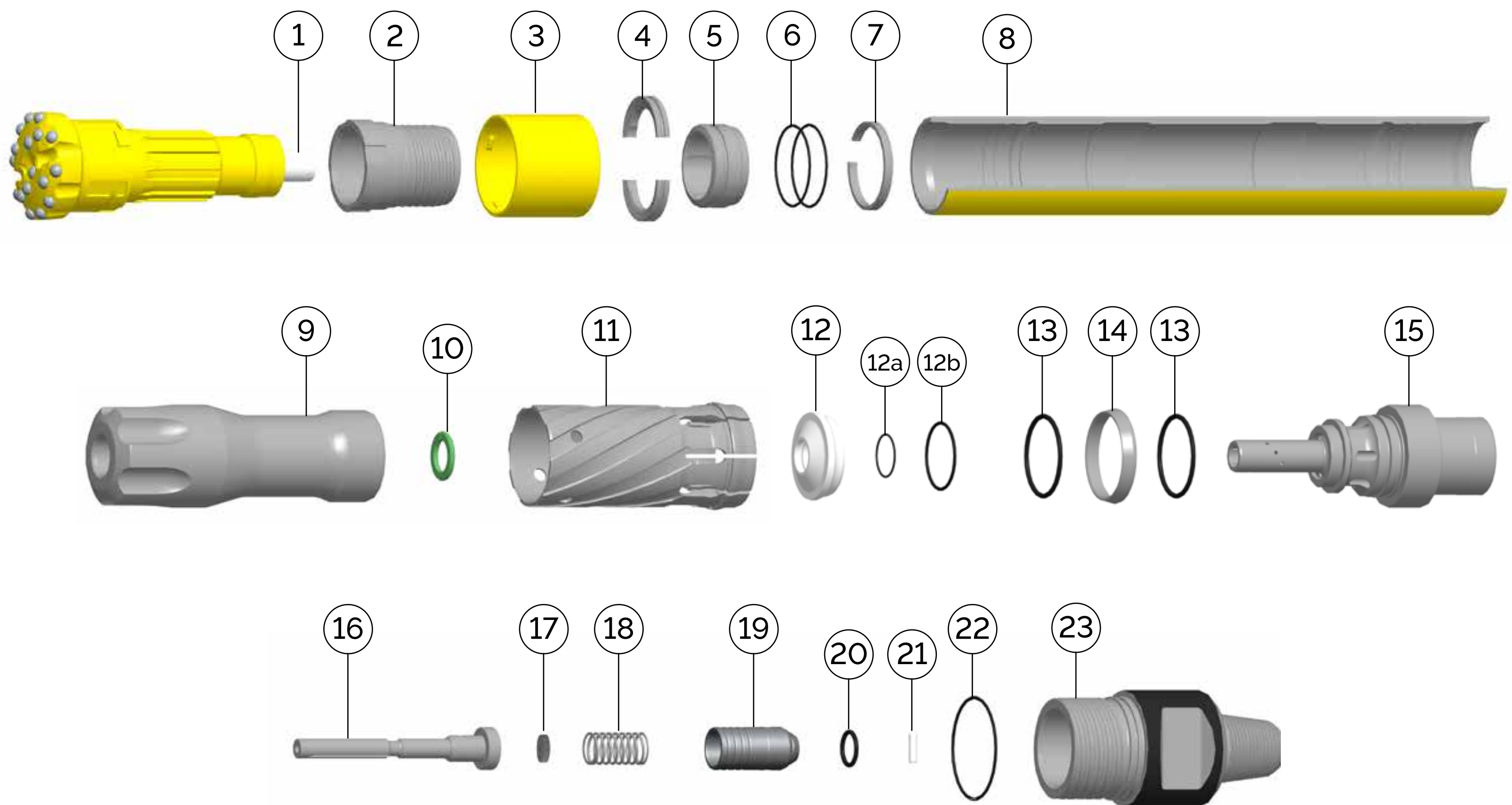


Secoroc QLX 60 OG

Down-the-hole hammer



Ref.	Part	Prod. No.	Product code
1	Exhaust tube	90514253	9283
1	Exhaust tube, tapered	52340247	9283-52340247
2	Retrieval chuck	52353612	9706-QL-00-000-00-00R-001
3	Retrieval sleeve - comes with bit	-	-
4	Bit retaining ring, (O-ring not incl.)	52327632	9706-QX-00-000-26-000-A02
5	Bit bearing	52324506	9706-QX-00-000-26-000-A22
6	O-ring (bit retainer), not sold separately	-	-
6	Bit bearing, vented	89010216	9706-QX-DH-000-00-00V-059
7	Bearing retaining ring	52324514	9706-QX-00-000-00-000-058
8	Casing	52324415	9706-QX-00-000-00-000-004
9	Piston	52324423	9706-QX-00-000-26-000-005
10	Tail seal	52333820	9706-QX-00-000-00-000-054
11	Inner cylinder	52324480	9706-QX-00-000-00-000-048
12	Valve assembly	52333895	9706-QX-00-000-00-000-A45
12a	Seal, not sold separately	-	-
12b	Seal, not sold separately	-	-
13	O-ring, not sold separately	-	-
14	Compression cone	52329034	9706-QX-00-000-00-000-014
15	Air distributor assembly	89012288	9706-QX-00-000-00-000-042
16	Airselect guide plug	89012271	9706-QX-DH-000-00-000-052
17	Seat, check valve spring	89012272	9706-QX-DH-000-00-000-089
18	Check valve spring	52349172	9706-QX-00-000-00-000-016
19	Check valve (O-ring incl.)	89010129	9706-QX-00-000-00-000-A17
20	Check valve O-ring, not sold separately	-	-
21	Choke plug Solid**	50899137	9706-QL-00-000-00-000-180
21	Choke plug 1/4" **	50899129	9706-QL-00-000-00-000-181

Ref.	Part	Prod. No.	Product code
22	Choke plug 1/8" **	50899111	9706-QL-00-000-00-000-182
23	Backhead	52351806	9706-QX-00-14P-00-000-020

*O-rings not sold separately. Included in different kits, see table.

**Item 21: Choke plug 1/4" and choke plug 1/8" may be used to bypass more air to reduce pressure and/or increase bailing velocity.

Hammers and kits	Prod. No.	Product code
QLX 60 OG complete, 3 1/2" API Reg Pin, Retrieval chuck	52354180	9706-QX-OG-14P-26-00R
QLX 60 OG complete, 3 1/2" API Reg Pin, Std. chuck, Vented bearing	89010219	9706-QX-OG-14P26-00V
QLX 60 OG complete, 3 1/2" API Reg Pin, Retrieval chuck, Vented bearing	89010220	9706-QX-OG-14P-26-00X
E-kit (for retrieval options), QLX 60 OG incl. item 2, 2x5, 8, 10, 12, 2x13, 18, 20, 22, 23	89010008	9706-QX-00-14P-26-00R-K40
E-kit (for standard chuck), QLX 60 OG incl. item 2, 2x5, 8, 10, 12, 2x13, 18, 20, 22, 23	89010007	9706-QX-00-14P-26-000-K40
O-ring kit, QLX 60 OG incl. item 4x5, 4x13, 20, 22	89010120	9706-QX-00-000-00-000-K47
Sustainability kit, QLX 60 OG incl. item 2x5, 10, 12, 2x13, 20, 2x22	52354646	9706-QX-00-000-00-000-070

Wear limits		
Chuck	Min. length	2.15 in / 54,6 mm
Casing reverse QLX 60 OG	Min. OD	5.44 in / 138,2 mm
Casing discard	Min. OD	5.31 in / 134,9 mm
Bit bushing	Max. ID	3.623 in / 92,02 mm
Piston / Casing clearance	Max.	0.009 in / 0,23 mm
Piston / Cylinder	Max.	0.009 in / 0,23 mm
Exhaust tube protrusion		2.31 in / 58,67 mm