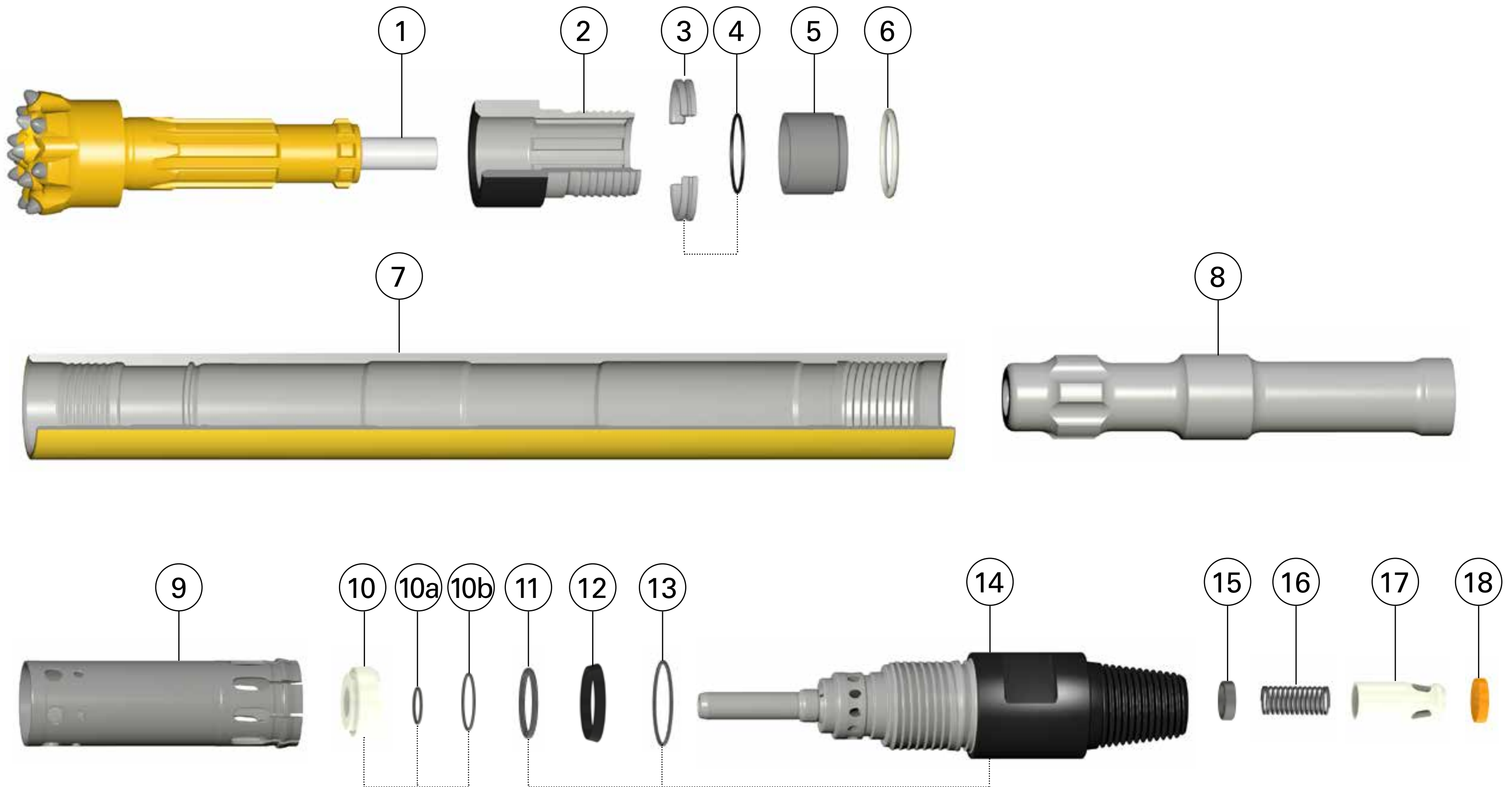


# Secoroc QLX35U

## Down-the-hole hammer



Ref.	Part	Prod. No.	Product code
1	Exhaust tube	90515375	9091
2	Chuck	89001566	9703-QX-00-000-35-000-001
3	Bit retaining ring assembly incl. O-ring	86008902	9703-QX-00-000-35-000-A02
4	O-ring* for bit retaining ring	-	-
5	Bit bearing	89001349	9703-QX-00-000-35-000-A22
6	Lock ring	89001350	9703-QX-00-000-00-000-006
7	Casing	89001567	9703-QX-00-000-00-000-004
8	Piston	52344843	9703-QX-00-10P-35-000-005
9	Inner cylinder	52312857	9703-QX-00-000-00-000-048
10	QL valve assembly incl. O-rings	89001568	9703-QX-00-000-00-000-A45
10a	O-ring* (small) for valve	-	-
10b	O-ring* (large) for valve	-	-
11	O-ring* (46x5) for backhead	86090015	-
12	Compression cone	52329588	9703-QX-00-000-00-000-014
13	O-ring* for backhead	95086575	
14	Backhead assembly for 2 3/8" API Reg Pin	89012238	9703-QX-00-10P-00-000-A20
15	Seat check valve	89012237	9703-QX-00-000-00-000-015
16	Compression spring	89012239	9703-QX-00-000-00-000-016
17	Check valve	89012230	9703-QX-00-000-00-000-017
18	Seal check valve	89012236	9703-QX-00-000-00-000-018

\*O-rings not sold separately. Included in different kits, see table.

Hammers and kits	Prod. No.	Product code
QLX 35U complete, 2 3/8" API Reg Pin	89012240	9703-QX-00-10P-35-000
Economy kit w/o backhead, incl. item 2, 7, 10 and O-ring kit	89012450	9703-QX-00-000-35-000-K39
O-ring kit incl. item 4, 6, 10a, 10b, 11, 13, 18	89012451	9703-QX-00-10P-35-000-K47

Wear limits		
Casing	Min. OD	74 mm
Piston / Casing clearance	Max.	0,3 mm
Piston / Cylinder clearance	Max.	0,3 mm
Piston / Guide clearance	Max.	0,6 mm
Exhaust tube protrusion		59 + / - 1 mm

9866 0194 01 2018.04.