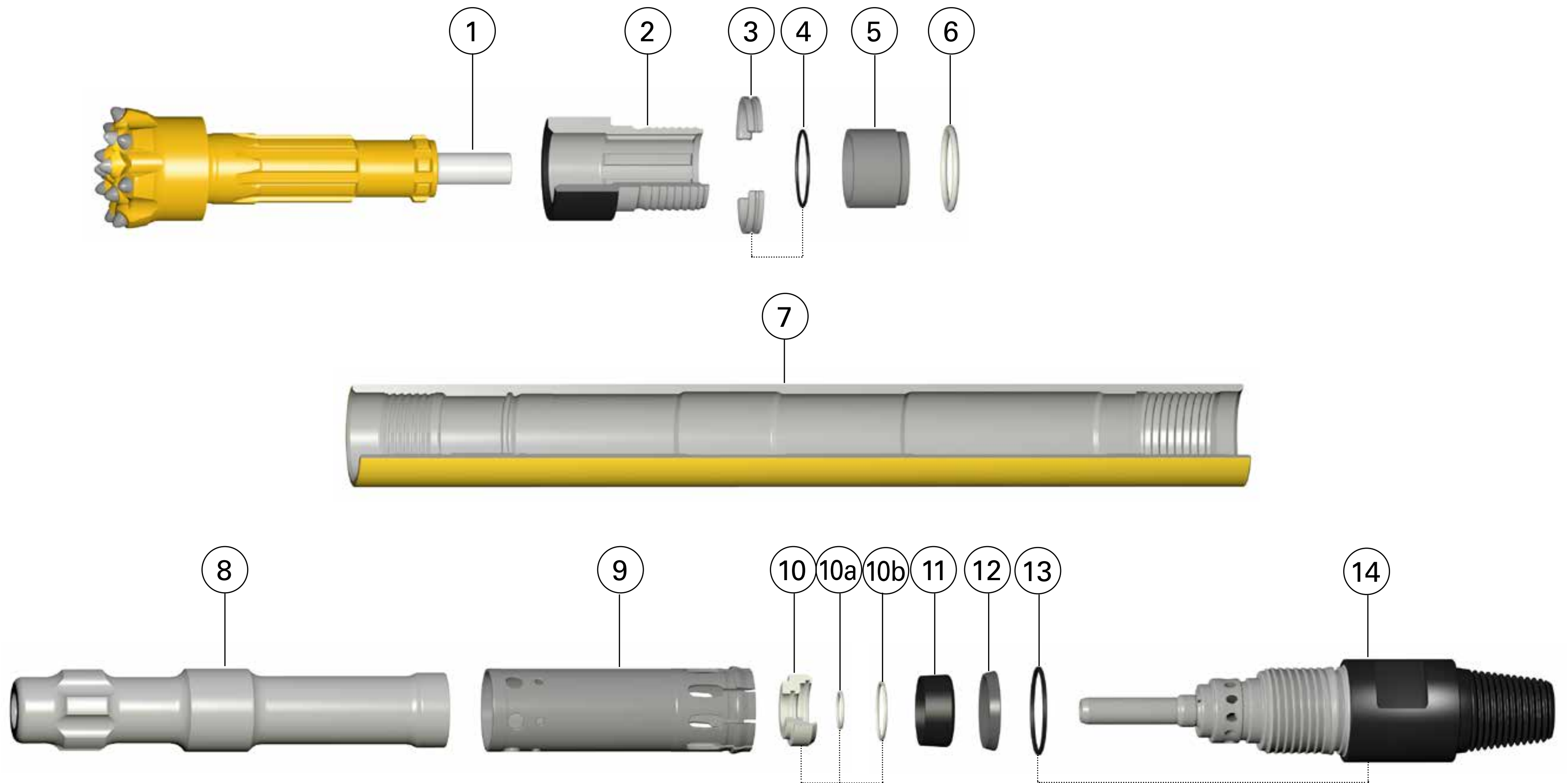


# Secoroc QLX35

## Down-the-hole hammer



Ref.	Part	Prod. No.	Product code
1	Exhaust tube	90515375	9091
2	Chuck	89001566	9703-QX-00-000-35-000-001
3	Bit retaining ring assembly incl. O-ring	89001351	9703-QX-00-000-35-000-A02
4	O-ring* for bit retaining ring	-	-
5	Bit bearing	89001349	9703-QX-00-000-35-000-A22
6	Lock ring	89001350	9703-QX-00-000-00-000-006
7	Casing	89001567	9703-QX-00-000-00-000-004
8	Piston	52344843	9703-QX-00-10P-35-000-005
9	Inner cylinder	52312857	9703-QX-00-000-00-000-048
10	QL valve assembly incl. O-rings	89001568	9703-QX-00-000-00-000-A45
10a	O-ring* (small) for valve	-	-
10b	O-ring* (large) for valve	-	-
11	Check seal	52312899	9703-QX-00-000-00-000-017
12	Compression cone	52329588	9703-QX-00-000-00-000-014
13	O-ring* for Backhead		
14	Backhead assembly for 2 3/8" API Reg Pin	89001571	9703-QX-00-10P-00-000-A20
14	Backhead assembly for Cubex#21	89001575	9703-QX-00-47P-00-000-A20

\*O-rings not sold separately. Included in different kits, see table.

Hammers and Kits	Prod. No.	Product code
QLX 35 complete, 2 3/8" API Reg Pin	89001572	9703-QX-00-10P-35-000
QLX 35 complete, Cubex#21	89001574	9703-QX-00-47P-35-000
Economy kit w/o backhead, incl. item 2, 7, 10 and O-ring kit	89001569	9703-QX-00-000-00-000-K39
O-ring kit incl. item 4, 6, 10a, 10b, 13	89001570	9703-QX-00-000-00-000-K47

Wear limits		
Casing	Min. OD	74 mm
Piston / Casing clearance	Max.	0,3 mm
Piston / Cylinder clearance	Max.	0,3 mm
Piston / Guide clearance	Max.	0,6 mm
Exhaust tube protrusion		59 + / - 1 mm

9866 0192 01 2018.05