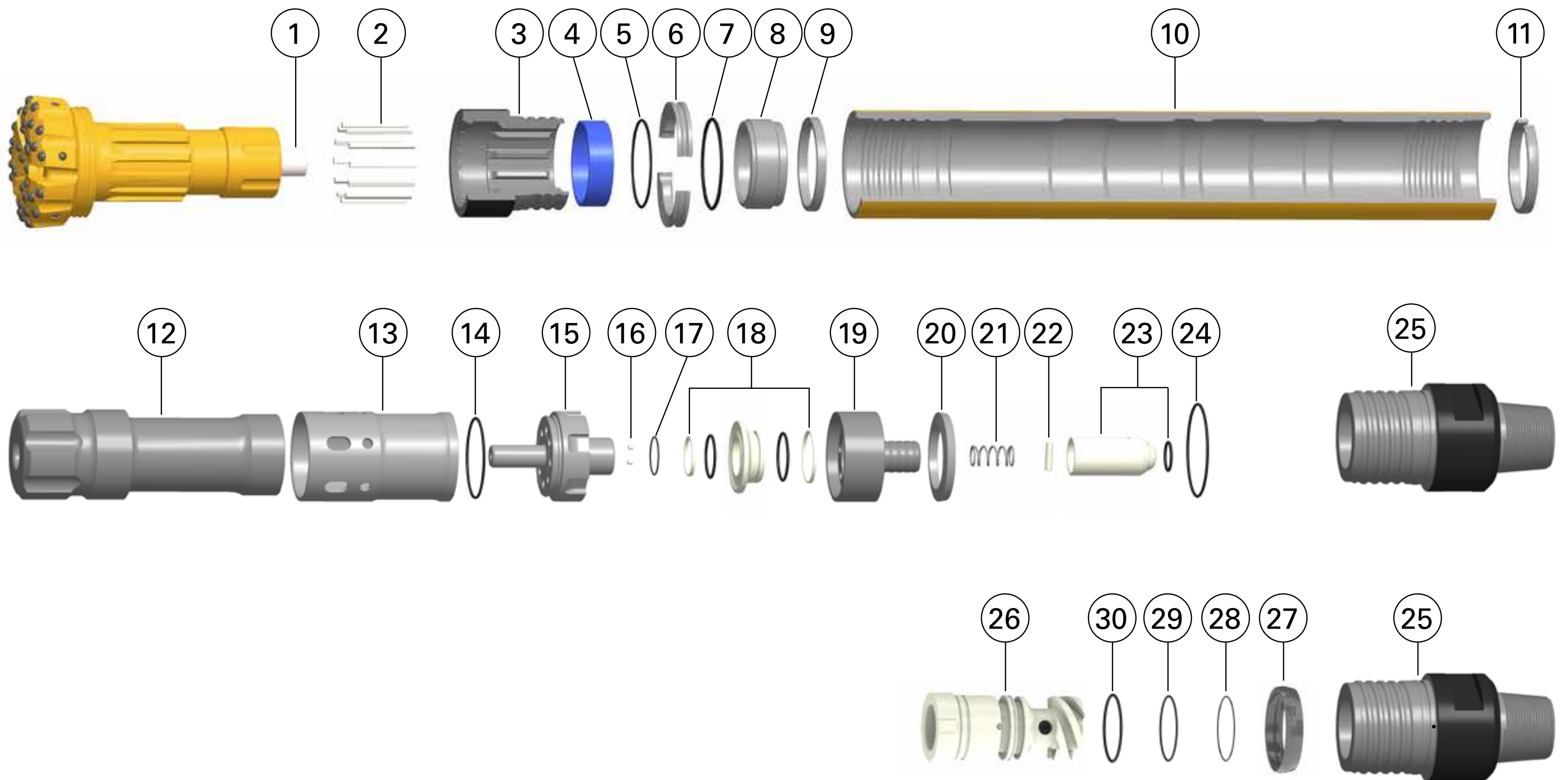


Secoroc QLX 100

Down-the-hole hammer



Ref.	Part	Prod. No.	Product code
1	Exhaust tube	89010443	9710-QX-00-000-00-000-003
1	Drive pins	89010442	9710-QX-00-000-00-000-061
3	Standard chuck	89010455	9710-QX-00-000-00-000-001
3	R4 Retrieval chuck	89010465	9710-QX-OG-000-40-00R-001
4	Chuck bearing	89010448	9710-QX-00-000-00-000-060
5	Bit retainer O-ring	95538104	0663-95538104
6	Bit retainer rings	89010461	9710-QX-00-000-00-000-002
7	Bearing retainer O-ring	89010466	9710-QX-00-000-00-000-035
8	Vented bit bearing	89010457	9710-QX-00-000-00-000-059
8	Bit bearing	89010560	9710-QX-00-000-00-000-022
9	Bearing stop ring	89010456	9710-QX-00-000-00-000-058
10	Casing	89010454	9710-QX-00-000-00-000-004
11	Cylinder stop ring	89010460	9710-QX-00-000-00-000-062
12	Piston	89010463	9710-QX-00-000-00-000-005
13	Cylinder	89010458	9710-QX-00-000-00-000-048
13	DT cylinder	89010478	9710-QX-DT-000-00-000-048
14	Distributor to cylinder O-ring	95538104	0663-95508104
15	Distributor	89010440	9710-QX-00-000-00-000-042
16	Distributor plugs	Not sold separately	
17	Distributor to valve cap O-ring	89010512	9710-QX-00-000-00-000-029
18	Valve assembly	89010438	9710-QX-00-000-00-000-A45
19	Valve cap	89010439	9710-QX-00-000-00-000-074
20	Bellville spring	89010459	9710-QX-00-000-00-000-013
21	Check valve spring	89010464	9710-QX-00-000-00-000-016
22	Solid choke plug	89010467	9710-QX-00-000-00-000-180
22	Choke plug - $\frac{3}{16}$ " - 4.83 mm Orifice	89010471	9710-QX-00-000-00-000-181
22	Choke plug - $\frac{5}{16}$ " - 7.9 mm Orifice	89010472	9710-QX-00-000-00-000-182

Ref.	Part	Prod. No.	Product code
23	Check valve assembly	89010470	9710-QX-00-000-00-000-A17
23	Check valve O-ring	Not sold separately	
24	Backhead O-ring	95760906	0663-95760906
25	Backhead $6\frac{5}{8}$ " PIN	89010453	9710-QX-00-18P-00-000-020
25	HC backhead	89010530	9710-QX-00-18P-00-0H0-020
26	HC inducer/separator	89010532	9710-QX-00-000-00-0H0-081
27	HC check seal	89010531	9710-QX-00-000-00-0H0-073
28	HC O-ring	89010533	0663-89010533
29	HC O-ring	89011088	0663-89011088
30	HC O-ring	89010475	0663-89010475

Hammers and kits	Prod. No.	Product code
QLX 100,COMP $6\frac{5}{8}$ API Reg PIN	89010474	9710-QX-OG-18P-40-000
QLX 100,COMP $6\frac{5}{8}$ API & R4 RET	89010479	9710-QX-OG-18P-40-00R
QLX 100,COMP $6\frac{5}{8}$ API Pin, HC	89010534	9710-QX-OG-18P-40-0H0
QLX,100,COMP $6\frac{5}{8}$ API, R4 RET, HC	89010535	9710-QX-OG-18P-40-0HR
QLX,100,COMP $6\frac{5}{8}$ API Reg PIN	89010561	9710-QX-00-18P-40-000
Sustainability kit (includes items 7, 2 x 14, 17, 18, 21, 24)	89010495	9710-QX-00-000-00-000-K70

Service specifications	in	mm
Casing discard diameter	8.450	214.6
Minimum chuck length	3.750	95.2
Max. worn piston to casing clearance	0.016	0.4
Max. worn piston to cylinder clearance	0.015	0.4
Max. worn piston to guide clearance	0.014	0.4
Max. worn bit to chuck clearance	0.070	1.8