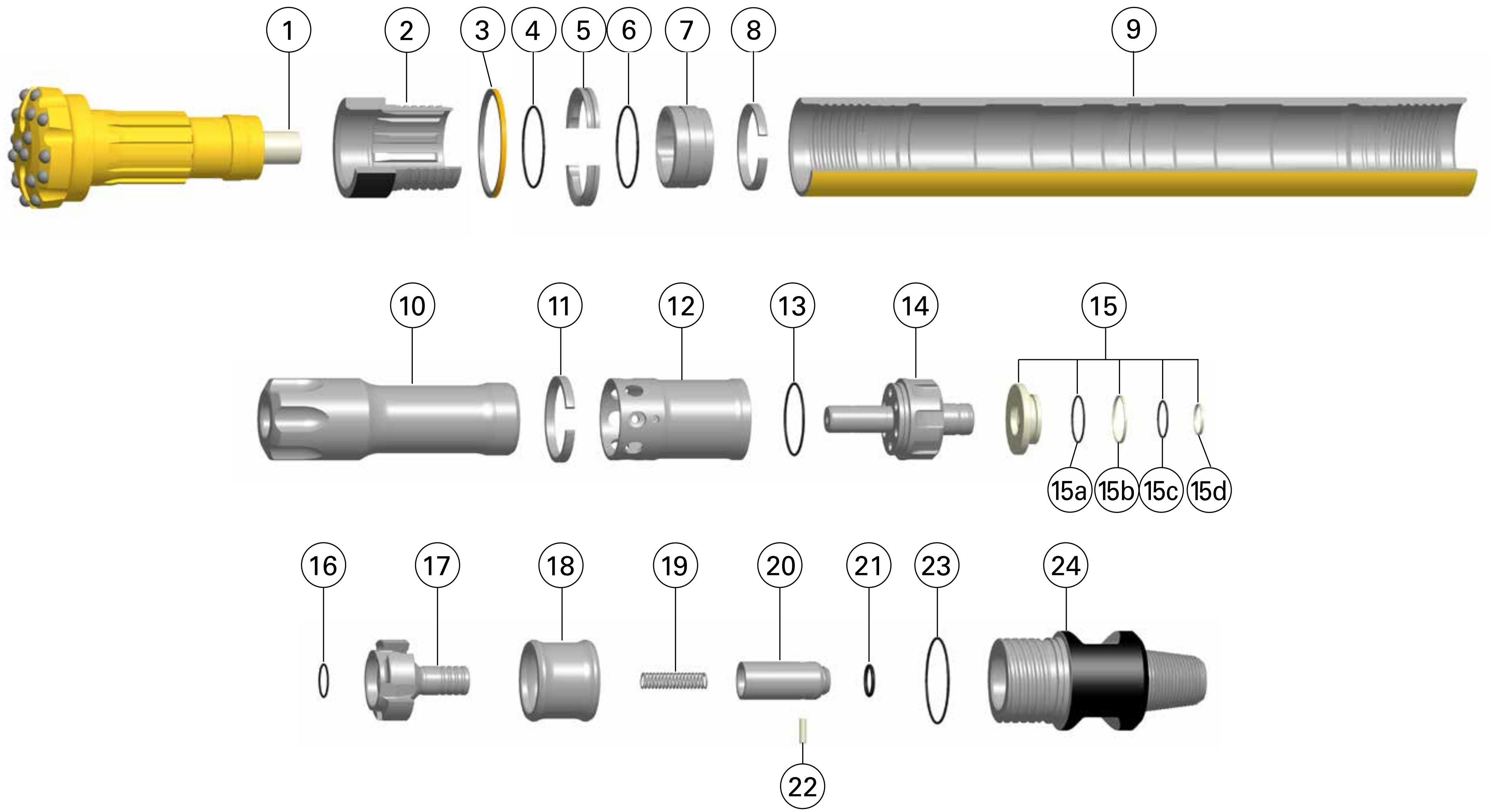


Secoroc QL85

Down-the-hole hammer



Ref.	Part	Prod. No.	Product code
1	Exhaust tube	52341450	9281
2	Chuck QL 85 with wrench flats / No Breakout Washer	89010513	9708-QL-00-000-00-HOF-001
2	Chuck QL 85 for Breakout washer	89010423	9708-QL-00-000-29-HDW-001
3	Breakout washer	89010424	9708-00-00-000-00-000-053
4	O-ring* (Bit retaining ring)	95045324	9708-QL-00-000-00-000-035
5	Bit retaining rings	52084688	9708-QL-00-000-29-000-A02
6	O-ring* (Bit bearing)	95045324	9708-QL-00-000-00-000-035
7	Bit bearing	51910362	9708-QL-00-000-29-000-A22
8	Lock ring (Bit bearing)	51987063	9708-QL-00-000-00-000-058
9	Casing QL 85	89010010	9708-QL-00-000-00-H00-004
10	Piston	51910354	9708-QL-00-000-29-000-005
11	Lock ring (Cylinder)	-	-
12	Cylinder	51986834	9708-QL-00-000-00-000-048
13	O-ring* (Air distributor)	95045324	9708-QL-00-000-00-000-034
14	Air distributor QL 85	51910271	9708-QL-00-000-00-000-042
14	Air distributor QL 85 (for 1400 cfm)	89010012	9708-QL-00-000-00-H00-042
15	Valve assembly .050 Lift	52084670	9708-QL-00-000-00-000-A45
	Valve shim .020 (not shown)	52282092	9708-QL-00-000-00-000-075
15a	O-ring (Valve)	-	-
15b	Seal-ring (Valve)	-	-
15c	O-ring (Valve)	-	-
15d	Seal-ring (Valve)	-	-
16	O-ring* (Valve cap)	95495776	9708-QL-00-000-00-000-029
17	Valve cap	51910297	9708-QL-00-000-00-000-074
18	Solid spacer	52084928	9708-QL-00-000-00-000-072

Ref.	Part	Prod. No.	Product code
19	Spring (Check valve)	51910446	9708-QL-00-000-00-000-016
20	Check valve assembly with O-ring	52115680	9708-QL-00-000-00-000-A17
21	O-ring* (Check valve)	95136644	9708-QL-00-000-00-000-018
22	Choke plug solid**	50899137	9706-QL-00-000-00-000-180
22	Choke plug 1/8" **	50899129	9706-QL-00-000-00-000-181
22	Choke plug 1/4" **	50899111	9706-QL-00-000-00-000-182
23	O-ring* (Backhead)	95027249	9708-QL-00-000-00-000-019
24	Backhead QL 85 QM 4 1/2" API Reg Pin	89010094	9708-QL-00-17P-00-HD0-020
24	Backhead QL 85 QM 4 1/2" BECO Pin	89010243	9708-QL-00-B3P-00-000-020

*Included in different kits, see table.

**Item 21: Choke plug 1/4" and choke plug 1/8" may be used to bypass more air to reduce pressure and/or increase bailing velocity.

Hammers and Kits	Prod. No.	Product code
QL 85 QM COMP 4 1/2" API Reg Pin (Std distributor)	89010016	9708-QL-00-17P-29-HF0
QL 85 QM COMP 4 1/2" API Reg Pin (1400 cfm distributor)	89010444	9708-QL-HP-17P-29-HDW
QL 85 QM COMP 4 1/2" BECO Pin (Std distributor)	89010244	9708-QL-00-B3P-29-HB0
QL 85 QM COMP 4 1/2" BECO Pin (1400 cfm distributor)	89010425	9708-QL-HP-B3P-29-HDW
E-kit QL 85 4 1/2" API Reg Pin incl. item 2, 3, 4, 5, 6, 9, 13, 15, 19, 23, 24	89010499	9708-QL-00-17P-29-HBW-K40
E-kit QL 85 4 1/2" BECO Pin incl. item 2, 4, 5, 6, 9, 13, 15, 19, 23, 24	89010278	9708-QL-00-B3P-29-HBF-K40
Sustainability kit incl. item 4, 6, 13, 15, 16, 21, 23	52354544	9708-QL-00-000-00-000-K70