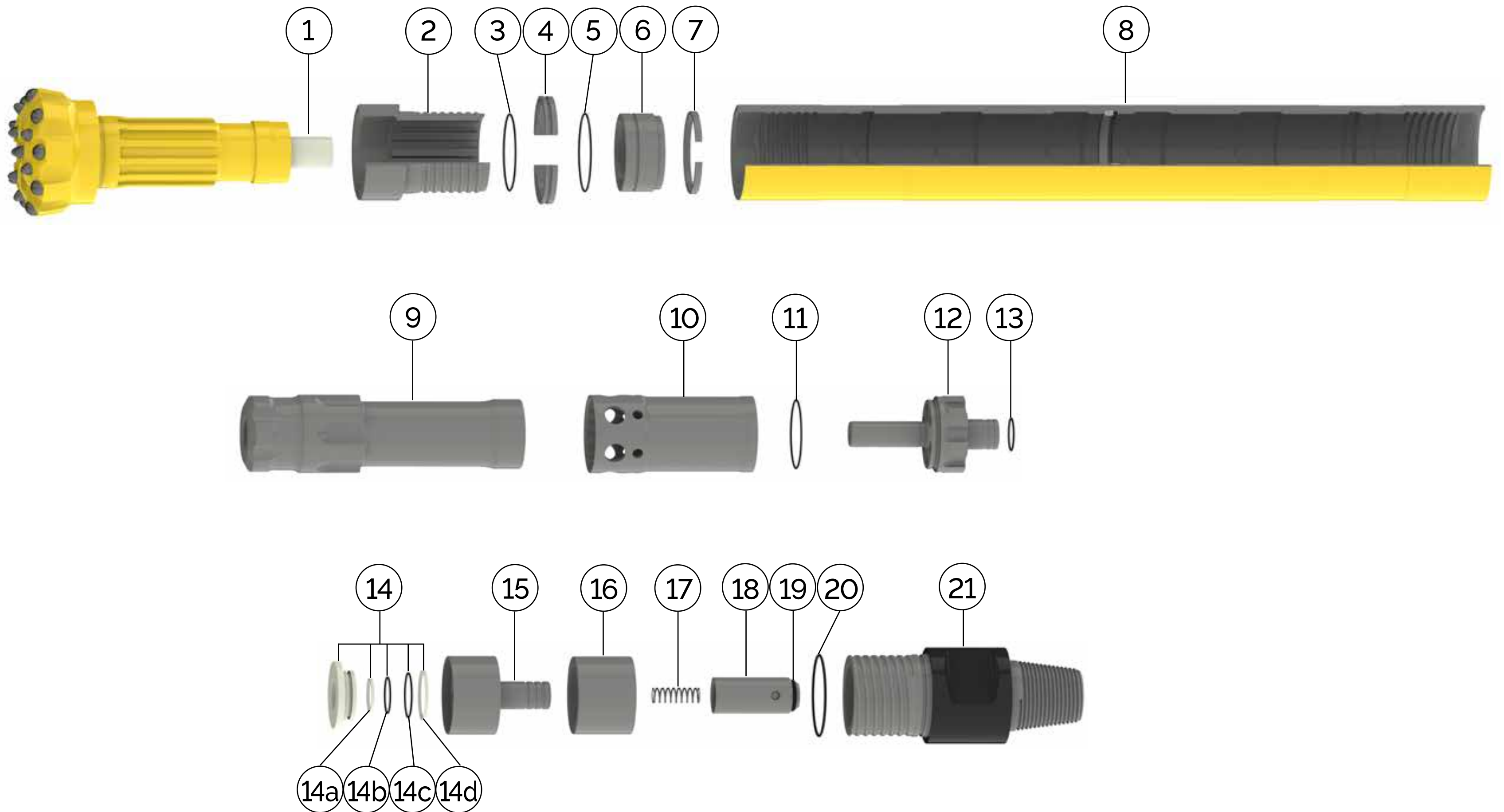


# Secoroc QL 50.2/55.2

## Down-the-hole hammer



Ref.	Part	Prod. No.	Product code
1	Exhaust tube	90515427	9257
2	Chuck QL 50.2	89012275	9705-QL-00-000-25-000-001
2	Chuck QL 55.2	89012274	9705-QL-00-000-25-H00-001
3	O-ring* (Bit retaining ring)	-	-
4	Bit retaining rings incl. O-ring	89012278	9705-QL-00-000-25-000-A02
5	O-ring* (Bit bearing)	-	-
6	Bit bearing assembly incl. O-ring	89012279	9705-QL-00-000-25-000-A22
7	Lock ring (Bit bearing)	51987014	9705-QL-00-000-00-000-058
8	Casing QL 50.2	51991479	9705-QL-00-000-00-000-004
8	Casing QL 50.2 HF	52284809	9705-QL-HF-000-00-000-004
8	Casing QL 55.2	51955805	9705-QL-00-000-00-H00-004
9	Piston	51996551	9705-QL-00-000-25-000-005
9	Piston QL 50.2 HF	52123502	9705-QL-HF-000-25-000-005
10	Cylinder	51997088	9705-QL-00-000-00-000-048
11	O-ring* (Air distributor)	95137212	9705-QL-00-000-00-000-048
12	Air distributor	89012277	9705-QL-00-000-00-000-042
13	O-ring (Valve cap)	95136438	9705-QL-00-000-00-000-029
14	Valve assembly .050 lift	52082989	9705-QL-00-000-00-000-044
14	Valve assembly .080 lift (not std)	52297678	9705-QL-00-000-00-000-A44
14a	O-ring (Valve)	-	-
14b	Seal-ring (Valve)	-	-
14c	O-ring (Valve)	-	-
14d	Seal-ring (Valve)	-	-
15	Valve cap	89012273	9705-QL-00-000-00-000-074

Ref.	Part	Prod. No.	Product code
16	Spacer-makeup	89012276	9705-QL-00-000-00-000-072
17	Spring check valve	51857274	9705-QL-00-000-00-000-016
18	Check valve assembly incl. O-ring	52115664	9705-QL-00-000-00-000-017
19	O-ring (check valve)	95962742	9705-QL-00-000-00-000-012
20	O-ring backhead	-	-
21	QL 50.2 backhead 3-1/2" API Reg Pin incl. O-ring	89012510	9705-QL-00-14P-00-000-A20
21	QL 55.2 backhead 3-1/2" API Reg Pin incl. O-ring	89012511	9705-QL-00-14P-00-HB0-A20
	Choke plug solid	50899137	9706-QL-00-000-00-000-180
	Choke plug 1/8" **	50899129	9706-QL-00-000-00-000-181
	Choke plug 1/4" **	50899111	9706-QL-00-000-00-000-008

\*O-rings not sold separately. Included in different kits, see table.

\*\* Choke plug 1/4" and choke plug 1/8" may be used to bypass more air to reduce pressure and/or increase bailing velocity.

Hammers and Kits	Prod. No.	Product code
QL 50.2 STD COMP 3 1/2" API Reg Pin	89012283	9705-QL-00-14P-25-000
QL 50.2 HF COMP 3 1/2" API Reg Pin	89012280	9705-QL-HF-14P-25-000
QL 55.2 QM COMP 3 1/2" API Reg Pin	89012281	9705-QL-00-14P-25-HB0
E-kit QL 50.2 3 1/2" API Reg Pin incl. item 2, 3, 5, 8, 11, 13, 14, 17, 19, 20, 21	89012285	9705-QL-00-14P-25-000-K40
E-kit QL 55.2 3 1/2" API Reg Pin incl. item 2, 3, 5, 8, 11, 13, 14, 17, 19, 20, 21	89012284	9705-QL-00-14P-25-HB0-K40
Sustainability kit incl. item 3, 5, 11, 13, 14, 19, 20	52354541	9705-QL-00-000-00-000-K70