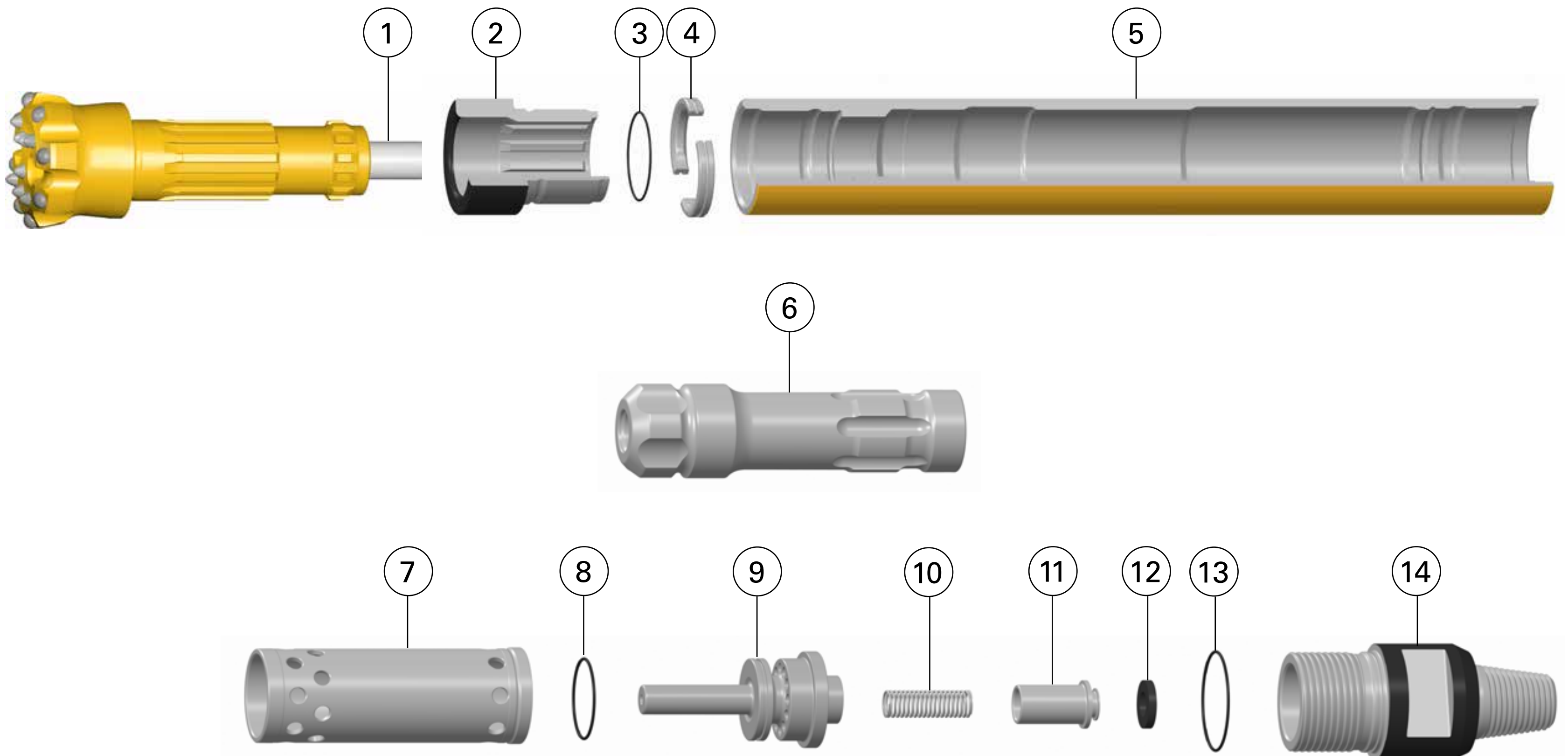


Secoroc COP W4

Down-the-hole hammer



Ref.	Part	Prod. No.	Product code
1	Exhaust tube	90516004	9115
2	Chuck	89012214	9704-WW-00-000-64-000-001
2	Chuck with guide**	89012313	9704-WW-00-000-64-00G-001
3	O-ring* for bit retaining ring	-	-
4	Bit retaining ring assembly, incl. o-ring	89012206	9704-WW-00-000-64-000-A02
5	Casing	89012205	9704-WW-00-000-00-000-004
5	Casing with guide**	89012314	9704-WW-00-000-00-G00-004
6	Piston	89012213	9704-WW-00-000-64-000-005
7	Cylinder	89012212	9704-WW-00-000-00-000-048
8	O-ring* for air distributor	-	-
9	Air distributor, incl. o-ring	89012217	9704-WW-00-000-00-000-A42
10	Spring check valve	89012216	9704-WW-00-000-00-000-016
11	Check valve	89001020	9704-CO-00-000-00-000-017
12	Seal check valve	89001021	9704-CO-00-000-00-000-018
13	O-ring* for backhead assembly	-	-
14	Backhead assembly, 2 ³ / ₈ " API Reg PIN, incl. O-ring	89012211	9704-WW-00-10P-00-000-A20

*O-rings not sold separately. Included in different kits.

**Modified version with OD 114 mm.

Hammers and kits	Prod. No.	Product code
COP W4 complete, 2 ³ / ₈ " API Reg PIN	89012204	9704-WW-00-10P-64-000
COP W4 complete, 2 ³ / ₈ " API Reg PIN with guided casing**	89012330	9704-WW-00-10P-64-00G
COP W4 complete, 2 ³ / ₈ " API Reg PIN with guided casing and guided chuck**	89012319	9704-WW-00-10P-64-G0G
Economy kit (incl. items 2,5,8,13,14)	89012218	9704-WW-00-10P-64-000-K40
O-ring kit (incl. items 3,8,13)	89012219	9704-WW-00-000-00-000-K47

Wear limits		
Casing, lower end	Min. OD	91 mm
Casing, upper end	Min. OD	93 mm
Piston / casing clearance	Max.	0,2 mm
Piston / control tube	Max.	0,2 mm
Exhaust tube	Min. OD	32,1 mm
Exhaust tube protrusion		57 + / - 1 mm