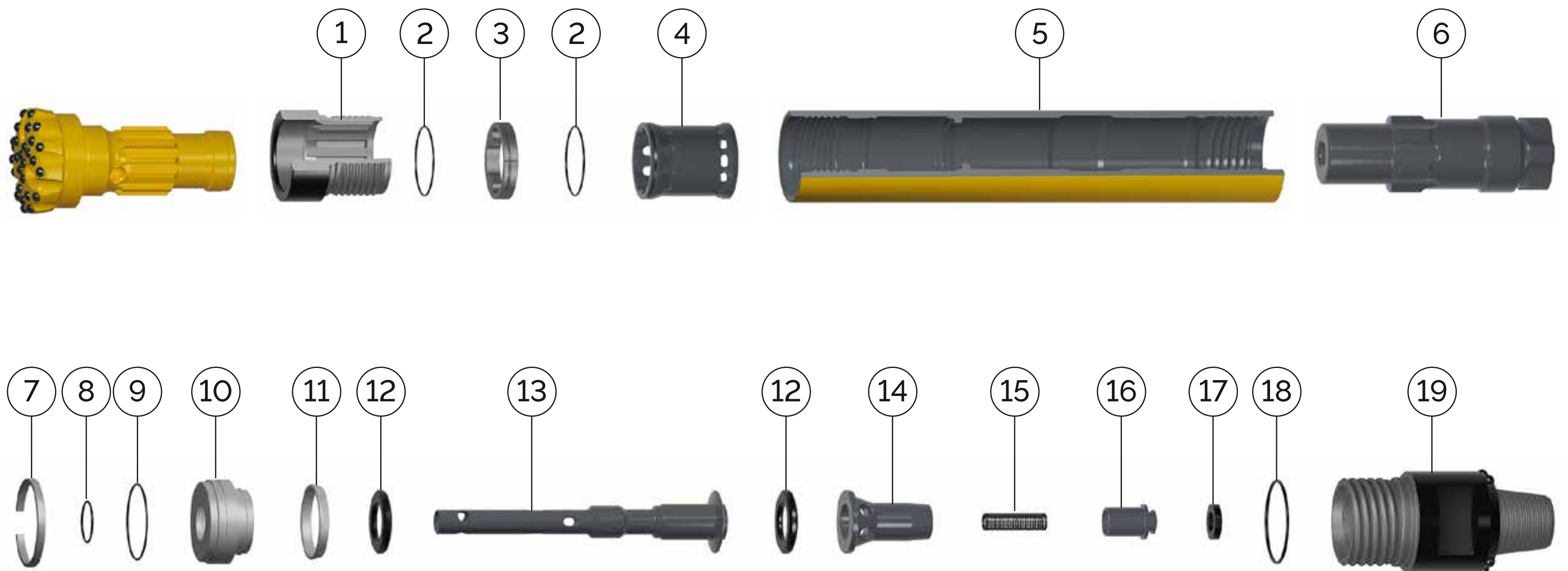


Secoroc COP M7

Down-the-hole hammer



Ref.	Part	Prod. No.	Product code
1	Chuck	89012543	9707-CM-00-000-03-000-001
2	O-ring* for bit retaining ring & bushing	-	-
3	Bit retaining ring assembly	89012544	9707-CM-00-000-03-000-A02
4	Bit bearing assembly	89012545	9707-CM-00-000-03-000-A22
5	Casing	89012546	9707-CM-00-000-00-000-004
6	Piston	89012547	9707-CM-00-000-03-000-005
7	Stop ring	89012549	9707-CM-00-000-00-000-058
8	O-ring* for cover	-	-
9	O-ring* for cover	-	-
10	Cover	89012550	9707-CM-HF-000-00-000-021
11	Compression cone	89012551	9707-CM-00-000-00-000-014
12	Buffer	89012555	9707-CM-00-000-00-000-011
13	Control tube, HF	89012548	9707-CM-HF-000-00-000-007
13	Control tube, LF	89012624	9707-CM-LF-000-00-000-007
14	Valve body	89012556	9707-CM-00-000-00-000-015
15	Check valve spring	89001265	9705-CG-00-000-00-000-016
16	Check valve assembly	89012609	9707-CM-00-000-00-000-A17
17	Check valve seat*	-	-
18	O-ring* for backhead	-	-
19	Backhead assy 4" Beco Pin	89012639	9707-CM-00-B2P-00-0B0-A20
19	Backhead assy 4-1/2" API Pin	89012553	9704-CM-00-17P-00-0B0-A20
19	Backhead assy 4-1/2" Beco Pin	89012557	9707-CM-00-17P-00-0B0-A20

* O-rings not sold separately. Included in different kits - see table.

Hammers and kits	Prod. No.	Product code
COP M7 complete, 4 1/2" API Pin	89012558	9707-CM-HF-17P-03-0B0
COP M7 complete 4 1/2" API Pin	89012625	9707-CM-LF-17P-03-0B0
COP M7 complete 4" Beco Pin	89012640	9707-CM-HF-B2P-03-0B0
COP M7 complete 4" Beco Pin	89012641	9707-CM-LF-B2P-03-0B0
COP M7 complete, 4 1/2" Beco Pin	89012559	9707-CM-HF-B3P-03-0B0
COP M7 complete 4 1/2" Beco Pin	89012643	9707-CM-LF-B3P-03-0B0
Economy kit 4" Beco Pin incl. 1, 5, 15, 19 and O-ring kit	89012642	9707-CM-00-B2P-03-0B0-K40
Economy kit 4-1/2" API Pin incl. item 1, 5, 15, 19 and O-ring kit	89012561	9707-CM-00-17P-03-0B0-K40
Economy kit 4-1/2" Beco Pin incl. item 1, 5, 15, 19 and O-ring kit	89012560	9707-CM-00-B3P-03-0B0-K40
O-ring kit incl. item 2, 8, 9, 12, 17, 18	89012562	9707-CM-000-000-00-000-K47

Wear limits		
Casing, lower end	Min. OD	165 mm.
Piston/casing clearance	Max.	0,3 mm.
Piston/control tube	Max.	0,3 mm.
Piston/bit bushing	Max.	0,4 mm.