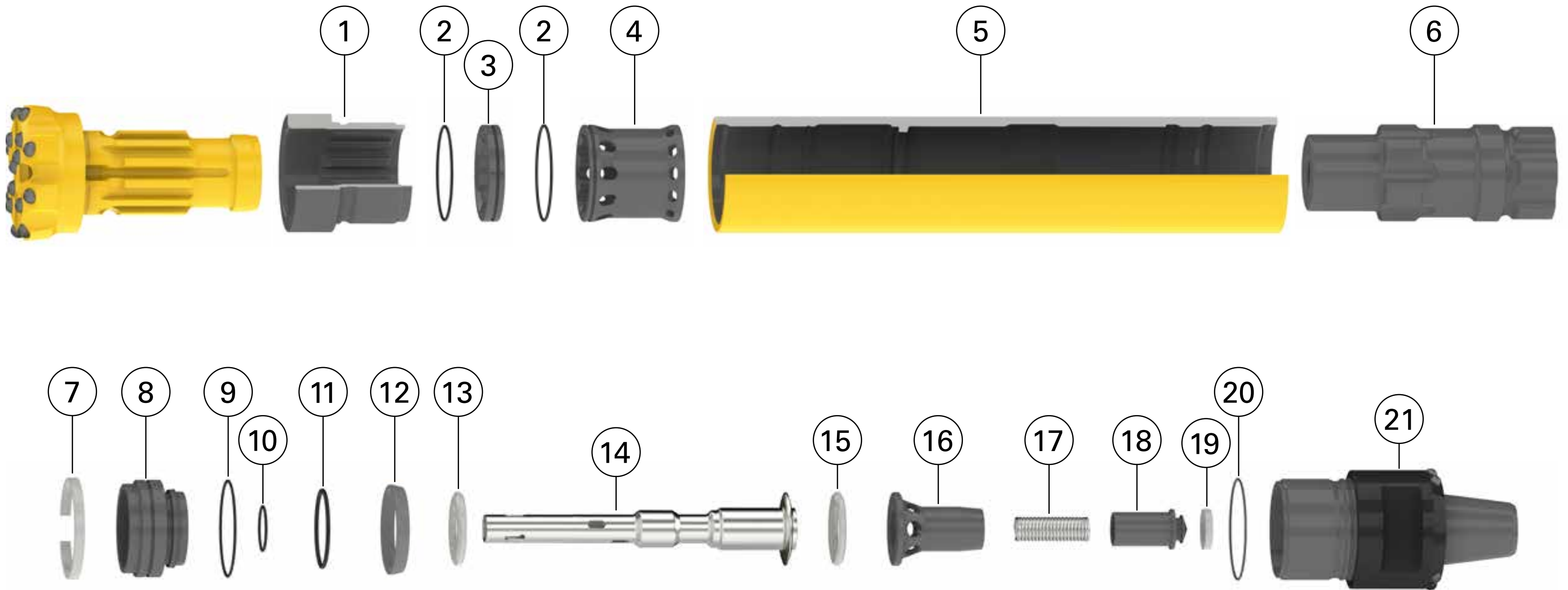


Secoroc COP 66.2

Down-the-hole hammer



Ref.	Part	Prod. No.	Product code
1	Chuck	89010408	9706-CM-00-000-01-000-001
2	O-ring* for bit retaining ring & bushing		
3	Bit retaining ring assembly incl. O-ring	89010409	9706-CM-00-000-01-000-A02
4	Bushing assembly incl. O-ring	89010410	9706-CM-00-000-01-000-A22
5	Casing	89012333	9706-CM-00-000-00-000-04
6	Piston	89010412	9706-CM-00-000-01-000-005
7	Lock ring	89012339	9706-CM-00-000-00-000-006
8	Cover assembly**	89012340	9706-CM-X1-000-00-000-A21
9	O-ring for cover		
10	O-ring for cover		
11	O-ring for cover		
12	Cone. Compression	52329034	9706-QT-00-000-00-000-014
13	Lower buffer	89000867	9706-CO-00-000-00-000-011
14	Control tube	89012332	9706-CM-X1-000-00-000-007
15	Upper buffer	89000050	9706-CO-00-000-00-000-009
16	Valve body	89010416	9706-CM-00-000-00-000-015
17	Spring for check valve	89001265	9705-CG-00-000-00-000-016
18	Check valve	89001266	9705-CG-00-000-00-000-017
19	Seal for check valve	89001072	9705-CO-00-000-00-000-018
20	O-ring for backhead		
21	Backhead assembly for QM version, 3½" API Reg Pin, incl. O-ring	89012335	9706-CM-00-14P-00-0B0-A20
21	Backhead assembly for QM version, 3½" API IF Pin incl. O-ring	89012336	9706-CM-00-15P-00-0B0-A20
21	Backhead assembly for QM version, CUBEX #28 Pin incl. O-ring	89012337	9706-CM-00-50P-00-0B0-A20
21	Backhead assembly for QM version, 3½" BECO Pin incl. O-ring	89012338	9706-CM-00-B1P-00-0B0-A20

*O-rings not sold separately. Included in different kits – see table.

** Includes item number 9, 10, 11.

Hammers and kits	Prod. No.	Product code
COP 66.2 hammer complete, API 3½" Reg Pin	89012343	9706-CM-X1-14P-00-0B0
COP 66.2 hammer complete, API 3½" IF Pin	89012345	9706-CM-X1-15P-00-0B0
COP 66.2 hammer complete, Cubex 28 Pin	89012348	9706-CM-X1-50P-00-0B0
COP 66.2 hammer complete, BECO 3½" Pin	89012350	9706-CM-X1-B1P-00-0B0
Economy kit, API 3½" Reg Pin incl. item: O-ring kit, 1, 5, 7, 21	89012352	9706-CM-00-14P-00-0B0-K40
Economy kit, API 3½" IF Pin incl. item: O-ring kit, 1, 5, 7, 21	89012353	9706-CM-00-15P-00-0B0-K40
Economy kit, Cubex #28 Pin incl. item: O-ring kit, 1, 5, 7, 21	89012354	9706-CM-00-50P-00-0B0-K40
Economy kit, BECO 3½" Pin incl. item: O-ring kit, 1, 5, 7, 21	89012355	9706-CM-00-B1P-00-0B0-K40
O-ring kit incl. item 2, 9, 10, 11, 13, 15, 19, 20	89012356	9706-CM-00-000-00-000-K47

Wear limits		
Casing, lower end	Min. OD	132 mm
Bit bushing	Max. ID	95,2 mm
Piston/casing clearance	Max.	0,2 mm
Piston/control tube	Max.	0,2 mm
Piston/bit bushing	Max.	0,3 mm