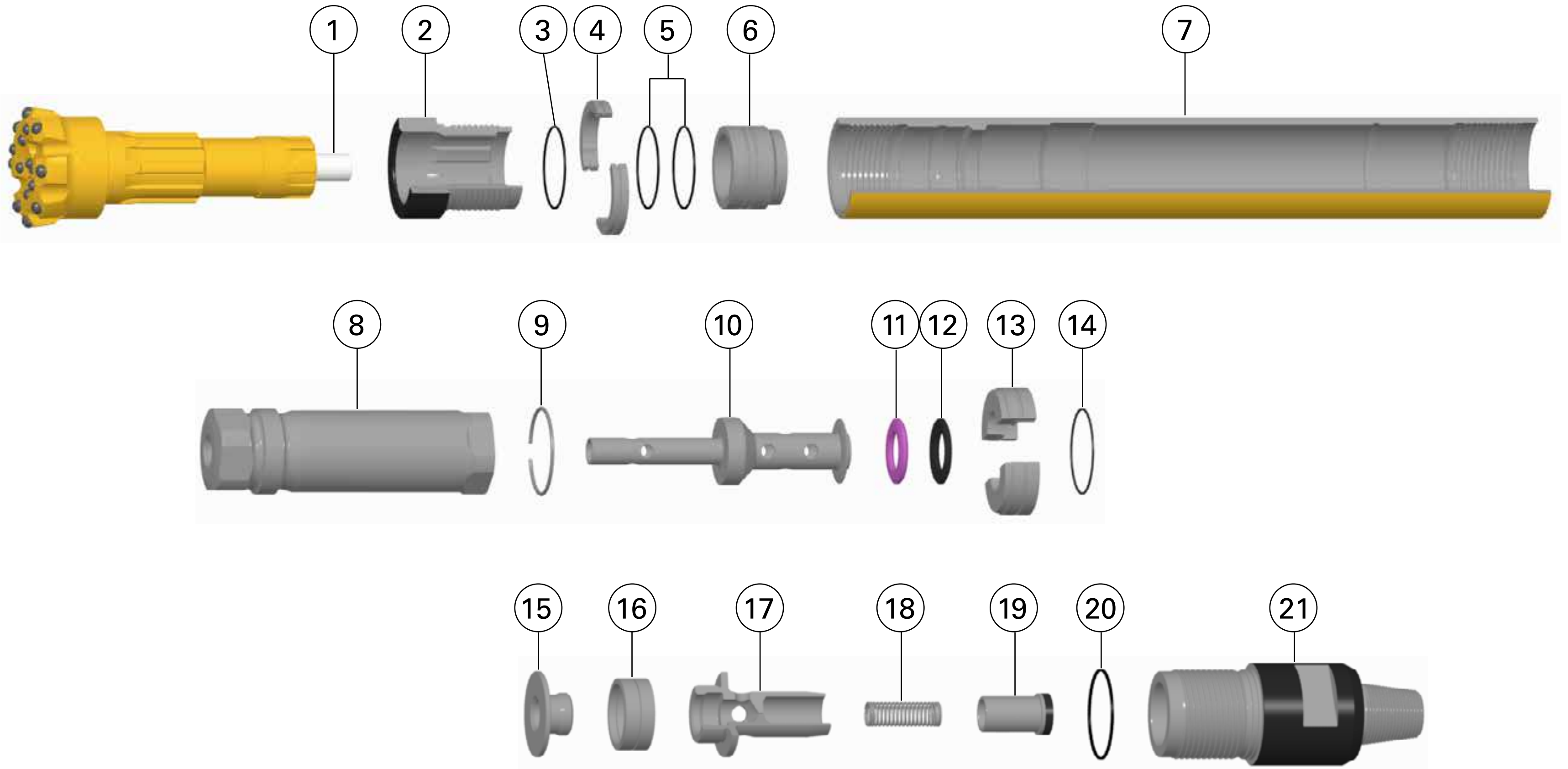


Secoroc COP 64

Down-the-hole hammer



Ref.	Part	Prod. No.	Product code
1	Exhaust tube	86002893	9235
2	Chuck	89000074	9706-CO-00-000-59-000-001
2	Chuck QM	89000516	9706-CO-00-000-59-H00-001
3	O-ring* for Bit retaining ring		
4	Bit retaining ring assembly incl. O-ring	89000075	9706-CO-00-000-59-000-A02
5	O-ring* for Bushing		
6	Bushing assembly with O-rings	89000084	9706-CO-00-000-59-000-A22
7	Casing	89000072	9706-CO-00-000-00-000-004
7	Casing QM	89000515	9706-CO-00-000-00-H00-004
8	Piston	89000076	9706-CO-00-000-59-000-005
9	Lock ring	89000073	9706-CO-00-000-00-000-006
10	Control tube	89000855	9706-CO-00-000-00-000-007
11	Lower buffer ring	89000867	9706-CO-00-000-00-000-011
12	Upper buffer ring	89000050	9706-CO-00-000-00-000-009
13	Cover assembly incl. O-ring	89000083	9706-CO-00-000-00-000-021
14	O-ring* for Cover		
15	Spring stop incl. in item 16		
16	Friction spring set assembly	89000857	9706-CO-00-000-00-000-A10
17	Valve body incl. in item 16		
18	Spring for Check valve	89000829	9706-CO-00-000-00-000-016
19	Check valve assembly incl. seal	89000840	9706-CO-00-000-00-000-A17
20	O-ring* for Backhead		

Ref.	Part	Prod. No.	Product code
21	Backhead assembly, 3 1/2" API Reg Pin, incl. O-ring	89000447	9706-CO-00-14P-00-000-A20
21	Backhead assembly, QM, 3 1/2" API Reg Pin, incl. O-ring	89000514	9706-CO-00-14P-00-HB0-A20

*O-rings not sold separately. Included in different kits below.

Hammers and Kits	Prod. No.	Product code
COP 64 complete, 3 1/2" API Reg Pin	89000486	9706-CO-00-14P-59-000
COP 64 QM complete, 3 1/2" API Reg Pin	89000498	9706-CO-00-14P-59-HB0
O-ring kit incl. item 3x3, 2x5, 1x14, 1x20	89000713	9706-CO-00-000-00-000-K47
Economy kit, 3 1/2" API Reg Pin incl. item 2, 3x3, 2x5, 7, 9, 11, 12, 14, 20, 21	89000746	9706-CO-00-14P-59-000-K40
Economy kit QM, 3 1/2" API Reg Pin incl. item 2, 3x3, 2x5, 7, 9, 11, 12, 14, 20, 21	89000748	9706-CO-00-14P-59-HB0-K40

Wear limits		
Casing	Min. OD	130 mm
Bit bushing	Max. ID	92,4 mm
Piston / Casing clearance	Max.	0,2 mm
Piston / Control tube clearance	Max.	0,2 mm
Exhaust tube	Min. OD	37,7 mm
Exhaust tube protrusion		57 +/- 1 mm