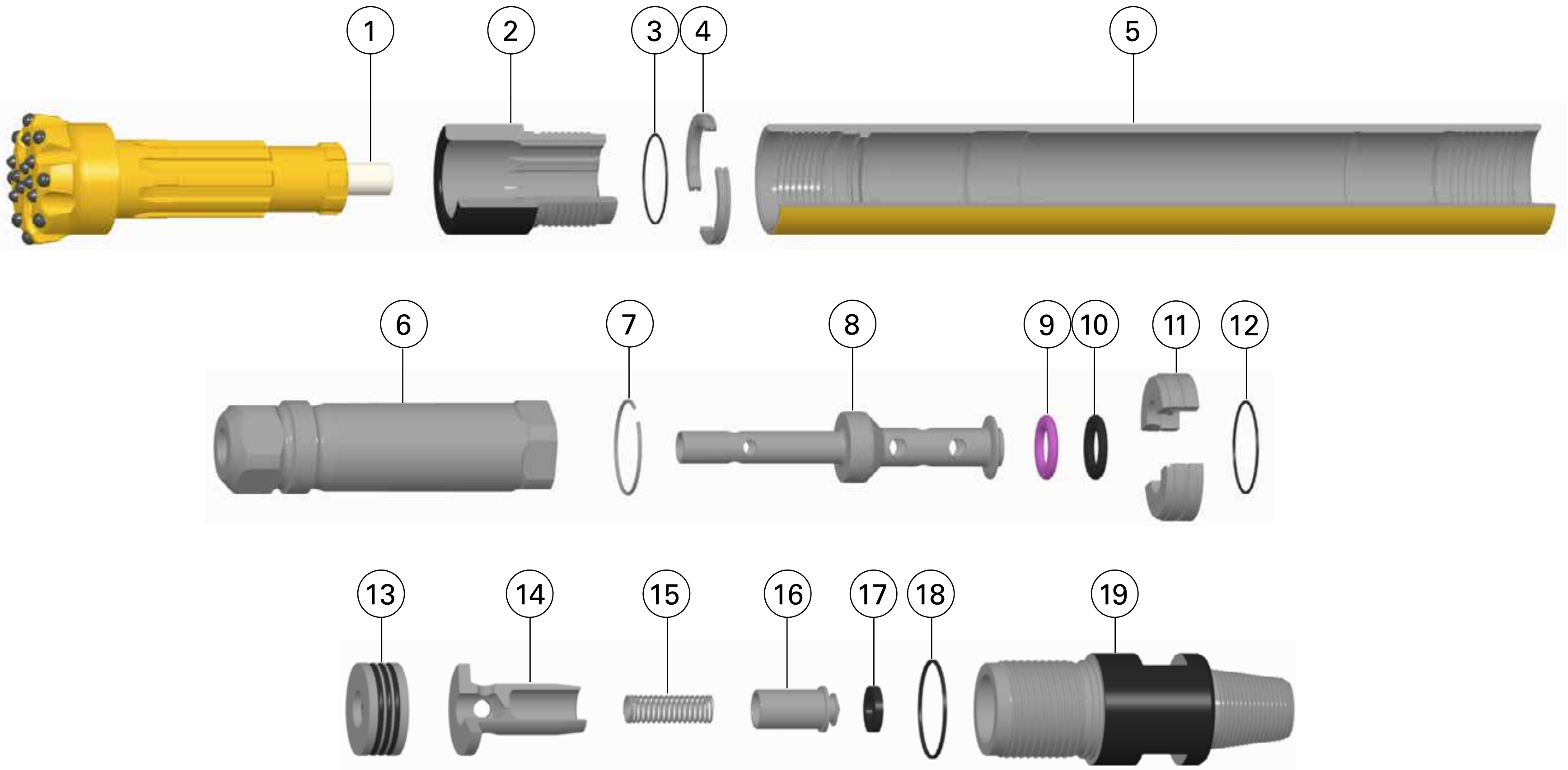


# Secoroc COP 54

## Down-the-hole hammer



Ref.	Part	Prod. No.	Product code
1	Exhaust tube	86008296	9164
2	Chuck	89000058	9705-CO-00-000-37-000-001
2	Chuck QM, HD	89000562	9705-CO-00-000-37-H00-001
3	O-ring* for Bit retaining ring		
4	Bit retaining ring assembly incl. O-ring	89000414	9705-CO-00-000-37-000-A02
5	Casing	89000056	9705-CO-00-000-00-000-004
5	Casing QM, HD	89000561	9705-CO-00-000-00-H00-004
6	Piston	89000060	9705-CO-00-000-37-000-005
7	Lock ring	89000057	9705-CO-00-000-00-000-006
8	Control tube	89001261	9705-CG-00-000-00-000-007
9	Lower buffer ring	89001262	9705-CG-00-000-00-000-011
10	Upper buffer ring	89001263	9705-CG-00-000-00-000-009
11	Cover assembly incl. O-ring	89000070	9705-CO-00-000-00-000-021
12	O-ring* for Cover		
13	Compression ring	89000063	9705-CO-00-000-00-000-014
	Shim for Compression ring	89000088	3161-1522-00
14	Valve body	89000064	9705-CO-00-000-00-000-015
15	Spring for Check valve	89001265	9705-CG-00-000-00-000-016
16	Check valve	89001266	9705-CG-00-000-00-000-017
17	Seal for Check valve	89001072	9705-CO-00-000-00-000-018
18	O-ring* for Backhead		
19	Backhead assembly, 2 3/8" API Reg Pin, incl. O-ring	89000449	9705-CO-00-10P-00-000-A20
19	Backhead assembly HD, 2 3/8" API Reg Pin, incl. O-ring	89000869	9705-CO-00-10P-00-H00-A20
19	Backhead assembly, 2 7/8" API Reg Pin, incl. O-ring	89001227	9705-CO-00-12P-00-000-A20

Ref.	Part	Prod. No.	Product code
19	Backhead assembly, 3 1/2" API Reg Pin, incl. O-ring	89000425	9705-CO-00-14P-00-000-A20
19	Backhead assembly QM, 3 1/2" API Reg Pin, incl. O-ring	89000563	9705-CO-00-14P-00-HB0-A20

\*O-rings not sold separately. Included in different kits - see table below.

Hammers and Kits	Prod. No.	Product code
COP 54 complete, 2 3/8" API Reg Pin	89000477	9705-CO-00-10P-37-000
COP 54 HD complete, 2 3/8" API Reg Pin	89000868	9705-CO-00-10P-37-H00
COP 54 complete, 2 7/8" API Reg Pin	89001228	9705-CO-00-12P-37-000
COP 54 complete, 3 1/2" API Reg Pin	89000481	9705-CO-00-14P-37-000
COP 54 QM complete, 3 1/2" API Reg Pin	89000565	9705-CO-00-14P-37-HB0
O-ring kit incl. item 5x3, 1x11, 1x19	89000710	9705-CO-00-000-00-000-K47
Economy kit, 2 3/8" API Reg Pin (incl. item 2, 5x3, 5, 7, 9, 10, 12, 13, 14, 19, 20)	89000742	9705-CO-00-10P-37-000-K40
Economy kit HD, 2 3/8" API Reg Pin (incl. item 2, 5x3, 5, 7, 9, 10, 12, 13, 14, 19, 20)	89000987	9705-CO-00-10P-37-H00-K40
Economy kit, 2 7/8" API Reg Pin (incl. item 2, 5x3, 5, 7, 9, 10, 12, 13, 14, 19, 20)	89001359	9705-CO-00-12P-37-000-K40
Economy kit, 3 1/2" API Reg Pin (incl. item 2, 5x3, 5, 7, 9, 10, 12, 13, 14, 19, 20)	89000743	9705-CO-00-14P-37-000-K40
Economy kit QM, 3 1/2" API Reg Pin (incl. item 2, 5x3, 5, 7, 9, 10, 12, 13, 14, 19, 20)	89000744	9705-CO-00-14P-37-HB0-K40

Wear limits		
Casing	Min. OD	111 mm
Piston / Casing clearance	Max.	0,2 mm
Piston / Control tube clearance	Max.	0,2 mm
Exhaust tube	Min. OD	34,8 mm
Exhaust tube protrusion		55 +/- 1 mm