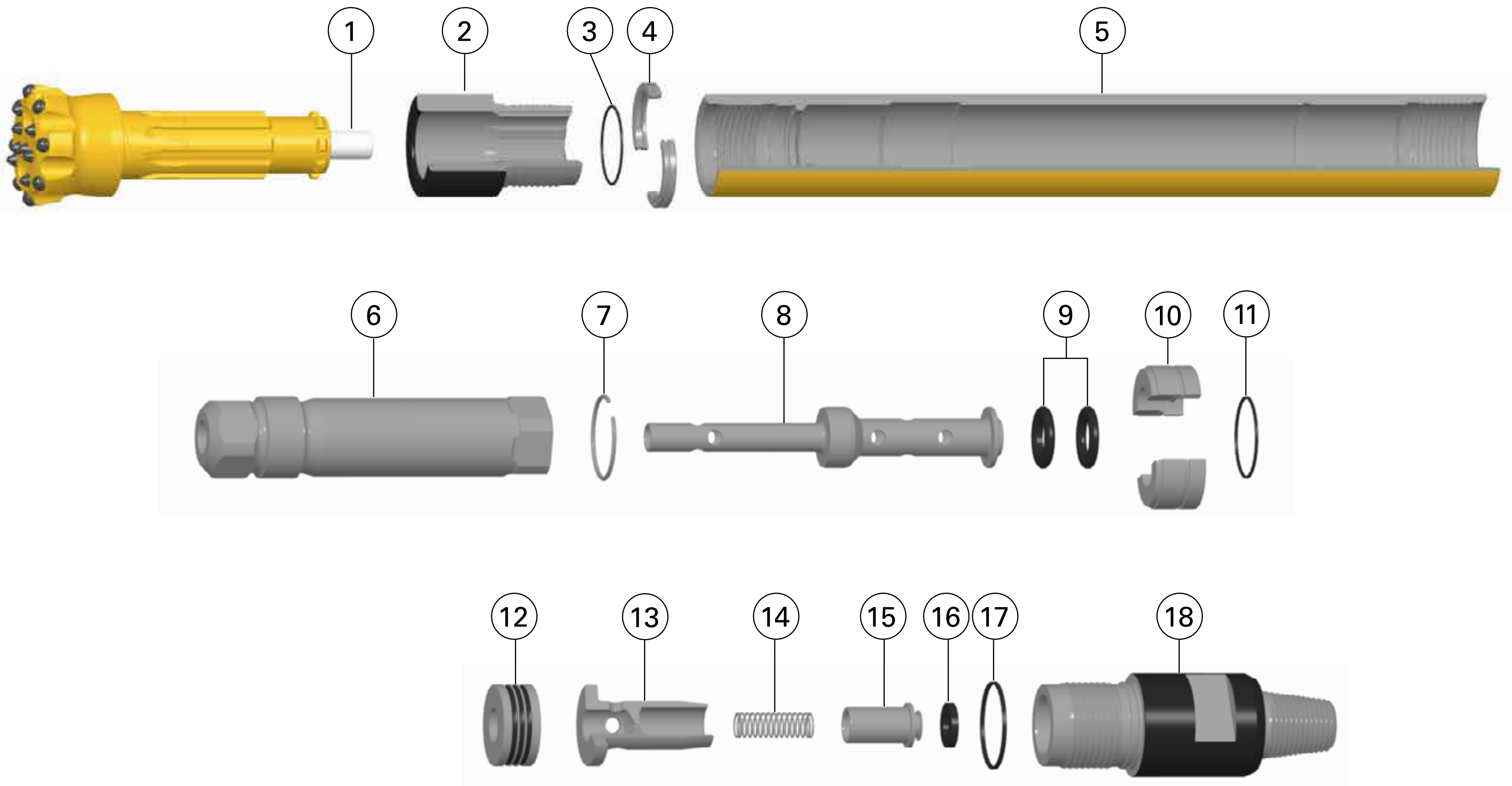


# Secoroc COP 44

## Down-the-hole hammer



Ref.	Part	Prod. No.	Product code
1	Exhaust tube	86002883	9227
2	Chuck	89000053	9704-CO-00-000-34-000-001
3	O-ring* for Bit retaining ring		
4	Bit retaining ring assembly incl. O-ring	89000010	9704-CO-00-000-34-000-A02
5	Casing	89000051	9704-CO-00-000-00-000-004
6	Piston	89000085	9704-CO-00-000-34-000-005
7	Lock ring	89000052	9704-CO-00-000-00-000-006
8	Control tube	89000045	9704-CO-00-000-00-000-007
9	Buffer ring, 2 pcs required	89000047	9704-CO-00-000-00-000-009
10	Cover assembly incl. O-ring	89000046	9704-CO-00-000-00-000-021
11	O-ring* for Cover		
12	Compression ring	89000025	9704-CO-00-000-00-000-014
	Shim for Compression ring	89000087	3161-1422-00
13	Valve body	89000026	9704-CO-00-000-00-000-015
14	Spring for Check valve	89001019	9704-CO-00-000-00-000-016
15	Check valve	89001020	9704-CO-00-000-00-000-017
16	Seal for Check valve	89001021	9704-CO-00-000-00-000-018
17	O-ring* for Backhead		
18	Backhead assembly, 2 3/8" API Reg Pin, incl. O-ring	89000451	9704-CO-00-10P-00-000-A20
18	Backhead assembly, 2 7/8" API Reg Pin, incl. O-ring	89001237	9704-CG-00-12P-00-000-A20

\*O-rings not sold separately. Included in different kits - see table.

Hammers and Kits	Prod. No.	Product code
COP 44 complete, 2 3/8" API Reg Pin	89000482	9704-CO-00-10P-34-000
COP 44 complete, 2 7/8" API Reg Pin	89001236	9704-CO-00-12P-34-000
O-ring kit incl. item 5x3, 1x11, 1x18	89000708	9704-CO-00-000-00-000-K47
Economy kit, 2 3/8" API Reg Pin (incl. item 2, 5x3, 5, 7, 2x9, 12, 13, 18, 19)	89000736	9704-CO-00-10P-34-000-K40
Economy kit, 2 7/8" API Reg Pin (incl. item 2, 5x3, 5, 7, 2x9, 12, 13, 18, 19)	89001317	9704-CO-00-12P-34-000-K40

Wear limits		
Casing	Min. OD	89 mm
Piston / Casing clearance	Max.	0,2 mm
Piston / Control tube clearance	Max.	0,2 mm
Exhaust tube	Min. OD	26,8 mm
Exhaust tube protrusion		45 +/- 1 mm

9866 0134 01 2018-04