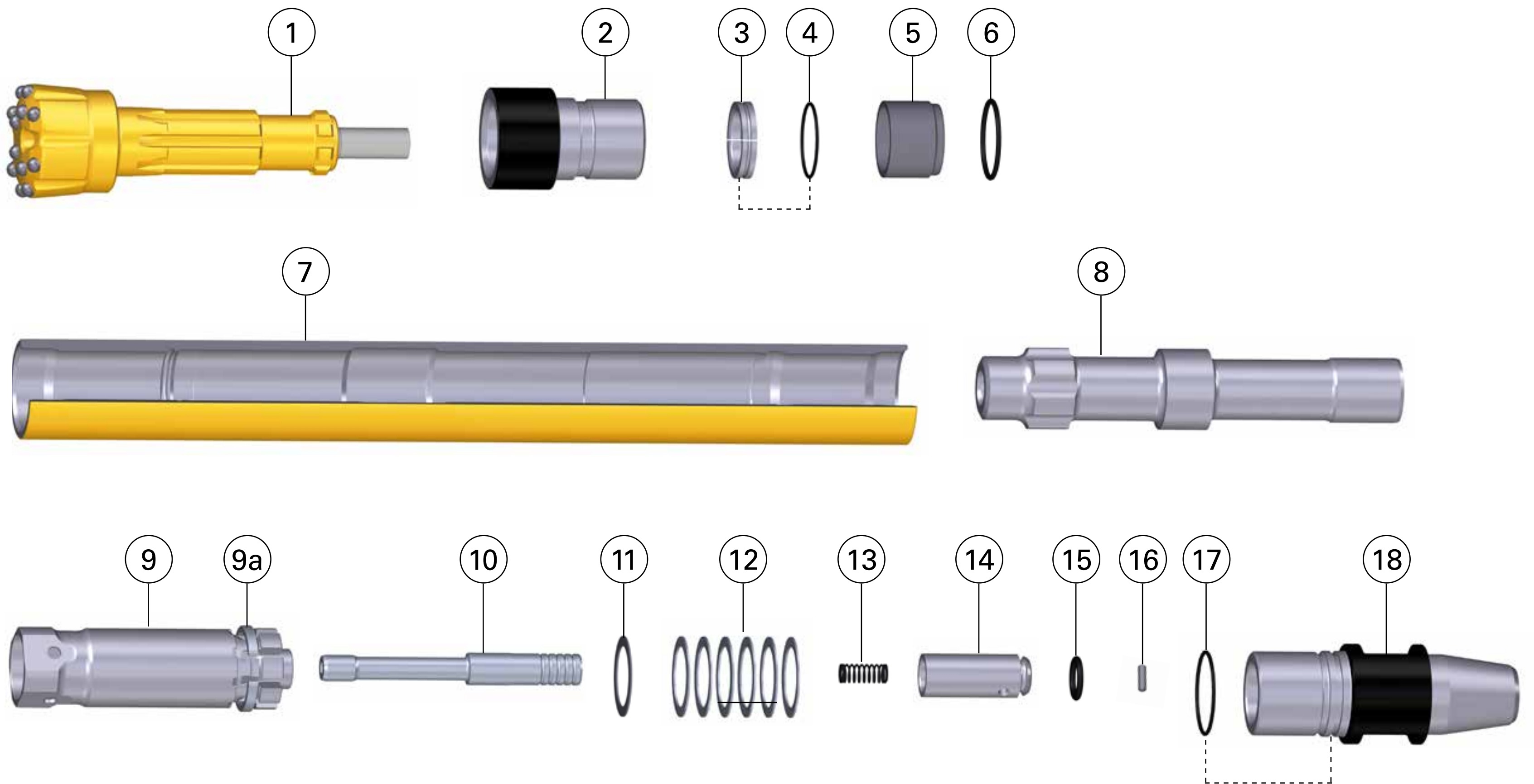


Secoroc COP35 / 35 Slim

Down-the-hole hammer



Ref.	Part	Prod. No.	Product code
1	Exhaust tube	210811803	-
2	Chuck COP35	52297926	9703-DH-00-000-35-000-001
2	Chuck COP35 Slim	92060242	9703-DH-00-000-35-S00-001
3	Bit retaining ring assembly incl. O-ring	52082823	9703-DH-00-000-35-000-A02
4	O-ring (Bit retaining ring)	95086229	0663-95086229
5	Bit bearing	51233856	9703-DH-00-000-35-000-A22
6	Lock ring (Bit bearing)	51233831	0663-51233831
7	Casing COP35	52291580	9703-DH-00-000-00-000-004
7	Casing COP35 Slim	92060243	9703-DH-00-000-00-S00-004
8	Piston	52291572	9703-DH-00-000-35-000-005
9	Cylinder assembly incl. Lock ring	51354355	9703-DH-00-000-00-000-048
9a	Lock ring (Cylinder)	51299766	9703-DH-00-000-00-000-062
10	Guide	51233815	9703-DH-00-000-00-000-046
11	Spacer	51303238	9703-DH-00-000-00-000-026
12	Belleville spring (6 pcs)	51303220	9703-DH-00-000-00-000-013
13	Check valve spring	51997260	9704-DH-00-000-00-000-016
14	Check valve assembly incl. O-ring	52302486	9703-DH-00-000-00-000-K23
15	O-ring (Check valve)	52302494	0663-52302494
16	Choke plug	50994755	9703-DH-00-000-00-000-008
17	O-ring (Backhead)	95086575	0663-95086575
18	Backhead COP35	51297877	9703-DH-00-10P-00-000-020
18	Backhead COP35 Slim	92060244	9703-DH-00-10P-35-S00-020
18	Backhead COP35 RD50-6 BOX	92060246	9703-DH-00-40B-35-000-020

Hammers and kits	Prod. No.	Product code
COP35 COMP 2 $\frac{3}{8}$ " API Reg Pin	52334307	9703-DH-00-10P-35-000
COP35 Slim COMP 2 $\frac{3}{8}$ " API Reg Pin	92060241	9703-DH-00-10P-35-S00
COP35 COMP RD50-6 BOX	92060245	9703-DH-00-40B-35-000

Wear limits		
Casing	Min. OD	73,66 mm
Piston / Casing clearance	Max.	0,25 mm
Piston / Cylinder clearance	Max.	0,23 mm
Piston / Distributor clearance	Max.	0,53 mm
Exhaust tube protrusion		59 ± 1 mm