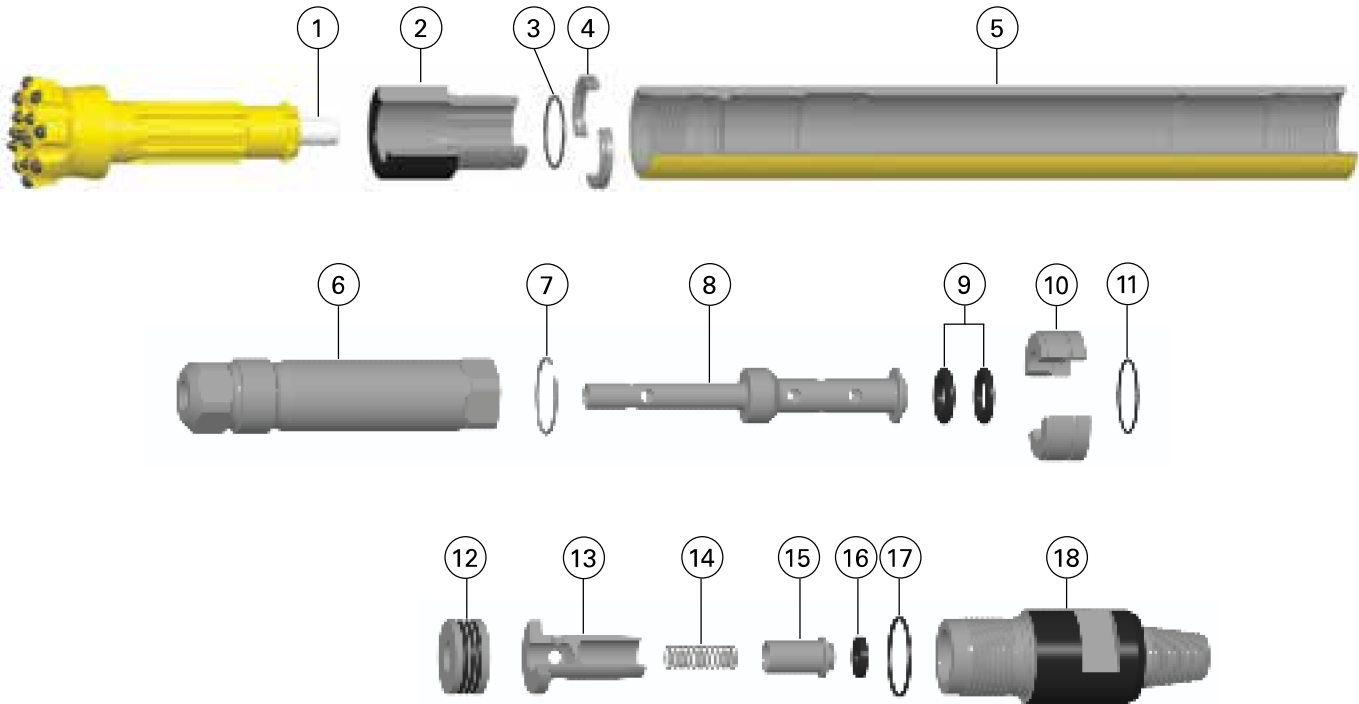


Secoroc COP 44

Down-the-hole hammer



Ref.	Part	Prod. No.	Product code
1	Exhaust tube	86002883	9227
2	Chuck	89000053	9704-CO-00-000-34-000-001
3	O-ring* for Bit retaining ring		
4	Bit retaining ring assembly incl. O-ring	89000010	9704-CO-00-000-34-000-A02
5	Casing	89000051	9704-CO-00-000-00-000-004
6	Piston	89000085	9704-CO-00-000-34-000-005
7	Lock ring	89000052	9704-CO-00-000-00-000-006
8	Control tube	89000045	9704-CO-00-000-00-000-007
9	Buffer ring, 2 pcs required	89000047	9704-CO-00-000-00-000-009
10	Cover assembly incl. O-ring	89000046	9704-CO-00-000-00-000-021
11	O-ring* for Cover		
12	Compression ring	89000025	9704-CO-00-000-00-000-014
	Shim for Compression ring	89000087	3161-1422-00
13	Valve body	89000026	9704-CO-00-000-00-000-015
14	Spring for Check valve	89001019	9704-CO-00-000-00-000-016
15	Check valve	89001020	9704-CO-00-000-00-000-017
16	Seal for Check valve	89001021	9704-CO-00-000-00-000-018
17	O-ring* for Backhead		
18	Backhead assembly, 2 3/8" API Reg Pin, incl. O-ring	89000451	9704-CO-00-10P-00-000-A20
18	Backhead assembly, 2 7/8" API Reg Pin, incl. O-ring	89001237	9704-CG-00-12P-00-000-A20

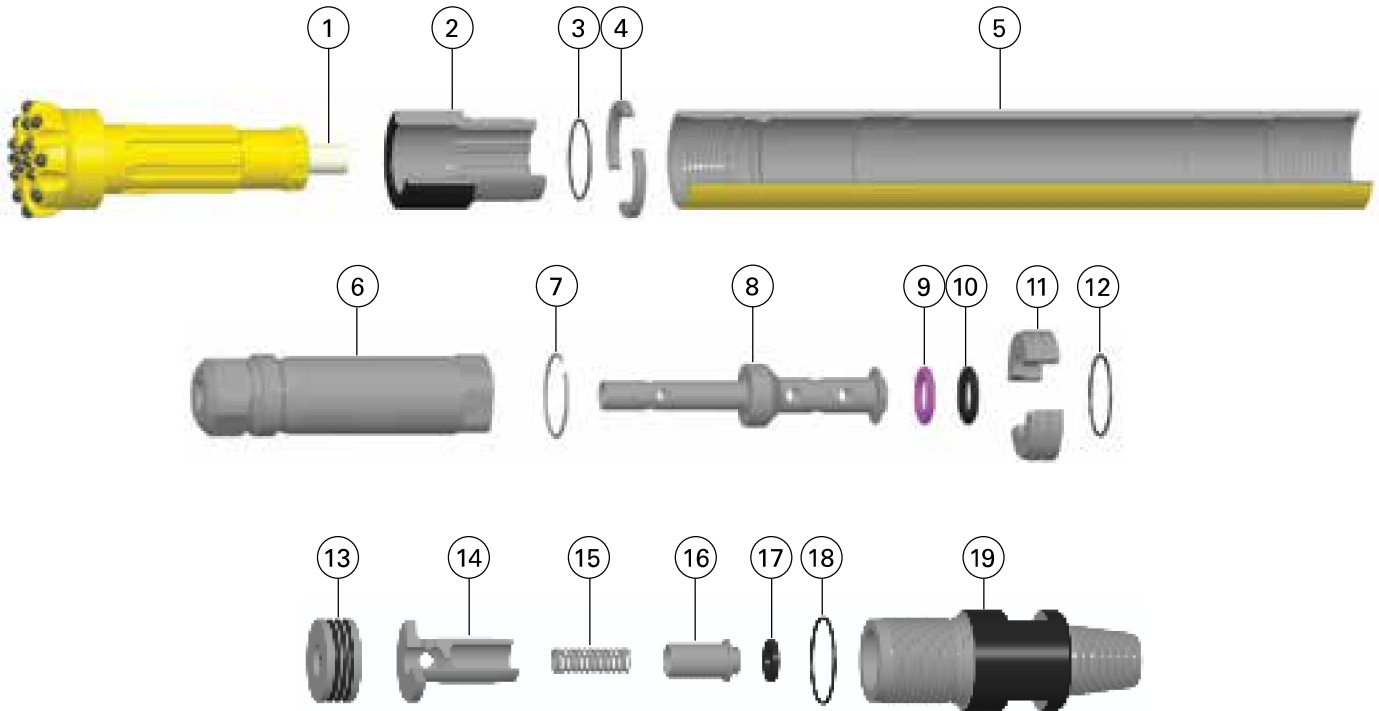
Hammers and Kits	Prod. No.	Product code
COP 44 complete, 2 3/8" API Reg Pin	89000482	9704-CO-00-10P-34-000
COP 44 complete, 2 7/8" API Reg Pin	89001236	9704-CO-00-12P-34-000
O-ring kit incl. item 5x3, 1x11, 1x18	89000708	9704-CO-00-000-00-000-K47
Economy kit, 2 3/8" API Reg Pin (incl. item 2, 5x3, 5, 7, 2x9, 12, 13, 18, 19)	89000736	9704-CO-00-10P-34-000-K40
Economy kit, 2 7/8" API Reg Pin (incl. item 2, 5x3, 5, 7, 2x9, 12, 13, 18, 19)	89001317	9704-CO-00-12P-34-000-K40

Wear limits		
Casing	Min. OD	89 mm
Piston / Casing clearance	Max.	0,2 mm
Piston / Control tube clearance	Max.	0,2 mm
Exhaust tube	Min. OD	26,8 mm
Exhaust tube protrusion		45 +/- 1 mm

*O-rings not sold separately. Included in different kits - see table.

Secoroc COP 54

Down-the-hole hammer



Ref.	Part	Prod. No.	Product code
1	Exhaust tube	86008296	9164
2	Chuck	89000058	9705-CO-00-000-37-000-001
2	Chuck QM, HD	89000562	9705-CO-00-000-37-H00-001
3	O-ring* for Bit retaining ring		
4	Bit retaining ring assembly incl. O-ring	89000414	9705-CO-00-000-37-000-A02
5	Casing	89000056	9705-CO-00-000-00-000-004
5	Casing QM, HD	89000561	9705-CO-00-000-00-000-004
6	Piston	89000060	9705-CO-00-000-37-000-005
7	Lock ring	89000057	9705-CO-00-000-00-000-006
8	Control tube	89001261	9705-CG-00-000-00-000-007
9	Lower buffer ring	89001262	9705-CG-00-000-00-000-011
10	Upper buffer ring	89001263	9705-CG-00-000-00-000-009
11	Cover assembly incl. O-ring	89000070	9705-CO-00-000-00-000-021
12	O-ring* for Cover		
13	Compression ring	89000063	9705-CO-00-000-00-000-014
	Shim for Compression ring	89000088	3161-1522-00
14	Valve body	89000064	9705-CO-00-000-00-000-015
15	Spring for Check valve	89001265	9705-CG-00-000-00-000-016
16	Check valve	89001266	9705-CG-00-000-00-000-017
17	Seal for Check valve	89001072	9705-CO-00-000-00-000-018
18	O-ring* for Backhead		
19	Backhead assembly, 2 3/8" API Reg Pin, incl. O-ring	89000449	9705-CO-00-10P-00-000-A20
19	Backhead assembly HD, 2 3/8" API Reg Pin, incl. O-ring	89000869	9705-CO-00-10P-00-H00-A20
19	Backhead assembly, 2 7/8" API Reg Pin, incl. O-ring	89001227	9705-CO-00-12P-00-000-A20

Ref.	Part	Prod. No.	Product code
19	Backhead assembly, 3 1/2" API Reg Pin, incl. O-ring	89000425	9705-CO-00-14P-00-000-A20
19	Backhead assembly QM, 3 1/2" API Reg Pin, incl. O-ring	89000563	9705-CO-00-14P-00-HB0-A20

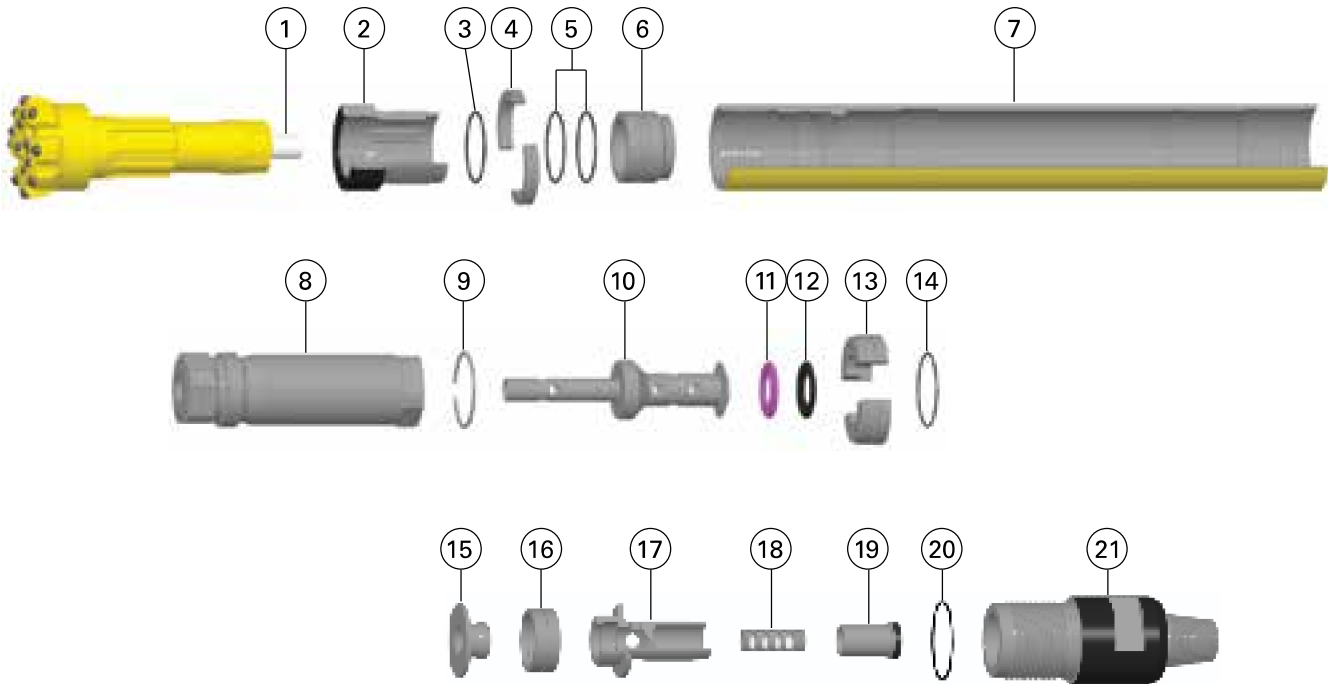
*O-rings not sold separately. Included in different kits - see table below.

Hammers and Kits	Prod. No.	Product code
COP 54 complete, 2 3/8" API Reg Pin	89000477	9705-CO-00-10P-37-000
COP 54 HD complete, 2 3/8" API Reg Pin	89000868	9705-CO-00-10P-37-H00
COP 54 complete, 2 7/8" API Reg Pin	89001228	9705-CO-00-12P-37-000
COP 54 complete, 3 1/2" API Reg Pin	89000481	9705-CO-00-14P-37-000
COP 54 QM complete, 3 1/2" API Reg Pin	89000565	9705-CO-00-14P-37-HB0
O-ring kit incl. item 5x3, 1x11, 1x19	89000710	9705-CO-00-000-00-000-K47
Economy kit, 2 3/8" API Reg Pin (incl. item 2, 5x3, 5, 7, 9, 10, 12, 13, 14, 19, 20)	89000742	9705-CO-00-10P-37-000-K40
Economy kit HD, 2 3/8" API Reg Pin (incl. item 2, 5x3, 5, 7, 9, 10, 12, 13, 14, 19, 20)	89000987	9705-CO-00-10P-37-H00-K40
Economy kit, 2 7/8" API Reg Pin (incl. item 2, 5x3, 5, 7, 9, 10, 12, 13, 14, 19, 20)	89001359	9705-CO-00-12P-37-000-K40
Economy kit, 3 1/2" API Reg Pin (incl. item 2, 5x3, 5, 7, 9, 10, 12, 13, 14, 19, 20)	89000743	9705-CO-00-14P-37-000-K40
Economy kit QM, 3 1/2" API Reg Pin (incl. item 2, 5x3, 5, 7, 9, 10, 12, 13, 14, 19, 20)	89000744	9705-CO-00-14P-37-HB0-K40

Wear limits		
Casing	Min. OD	111 mm
Piston / Casing clearance	Max.	0,2 mm
Piston / Control tube clearance	Max.	0,2 mm
Exhaust tube	Min. OD	34,8 mm
Exhaust tube protrusion		55 +/- 1 mm

Secoroc COP 64

Down-the-hole hammer



Ref.	Part	Prod. No.	Product code
1	Exhaust tube	86002893	9235
2	Chuck	89000074	9706-CO-00-000-59-000-001
2	Chuck QM	89000516	9706-CO-00-000-59-H00-001
3	O-ring* for Bit retaining ring		
4	Bit retaining ring assembly incl. O-ring	89000075	9706-CO-00-000-59-000-A02
5	O-ring* for Bushing		
6	Bushing assembly with O-rings	89000084	9706-CO-00-000-59-000-A22
7	Casing	89000072	9706-CO-00-000-00-000-004
7	Casing QM	89000515	9706-CO-00-000-00-H00-004
8	Piston	89000076	9706-CO-00-000-59-000-005
9	Lock ring	89000073	9706-CO-00-000-00-000-006
10	Control tube	89000855	9706-CO-00-000-00-000-007
11	Lower buffer ring	89000867	9706-CO-00-000-00-000-011
12	Upper buffer ring	89000050	9706-CO-00-000-00-000-009
13	Cover assembly incl. O-ring	89000083	9706-CO-00-000-00-000-021
14	O-ring* for Cover		
15	Spring stop incl. in item 16		
16	Friction spring set assembly	89000857	9706-CO-00-000-00-000-A10
17	Valve body incl. in item 16		
18	Spring for Check valve	89000829	9706-CO-00-000-00-000-016
19	Check valve assembly incl. seal	89000840	9706-CO-00-000-00-000-A17
20	O-ring* for Backhead		

Ref.	Part	Prod. No.	Product code
21	Backhead assembly, 3 1/2" API Reg Pin, incl. O-ring	89000447	9706-CO-00-14P-00-000-A20
21	Backhead assembly, QM, 3 1/2" API Reg Pin, incl. O-ring	89000514	9706-CO-00-14P-00-HB0-A20

*O-rings not sold separately. Included in different kits below.

Hammers and Kits	Prod. No.	Product code
COP 64 complete, 3 1/2" API Reg Pin	89000486	9706-CO-00-14P-59-000
COP 64 QM complete, 3 1/2" API Reg Pin	89000498	9706-CO-00-14P-59-HB0
O-ring kit incl. item 3x3, 2x5, 1x14, 1x20	89000713	9706-CO-00-000-00-000-K47
Economy kit, 3 1/2" API Reg Pin incl. item 2, 3x3, 2x5, 7, 9, 11, 12, 14, 20, 21	89000746	9706-CO-00-14P-59-000-K40
Economy kit QM, 3 1/2" API Reg Pin incl. item 2, 3x3, 2x5, 7, 9, 11, 12, 14, 20, 21	89000748	9706-CO-00-14P-59-HB0-K40

Wear limits		
Casing	Min. OD	130 mm
Bit bushing	Max. ID	92,4 mm
Piston / Casing clearance	Max.	0,2 mm
Piston / Control tube clearance	Max.	0,2 mm
Exhaust tube	Min. OD	37,7 mm
Exhaust tube protrusion		57 +/- 1 mm