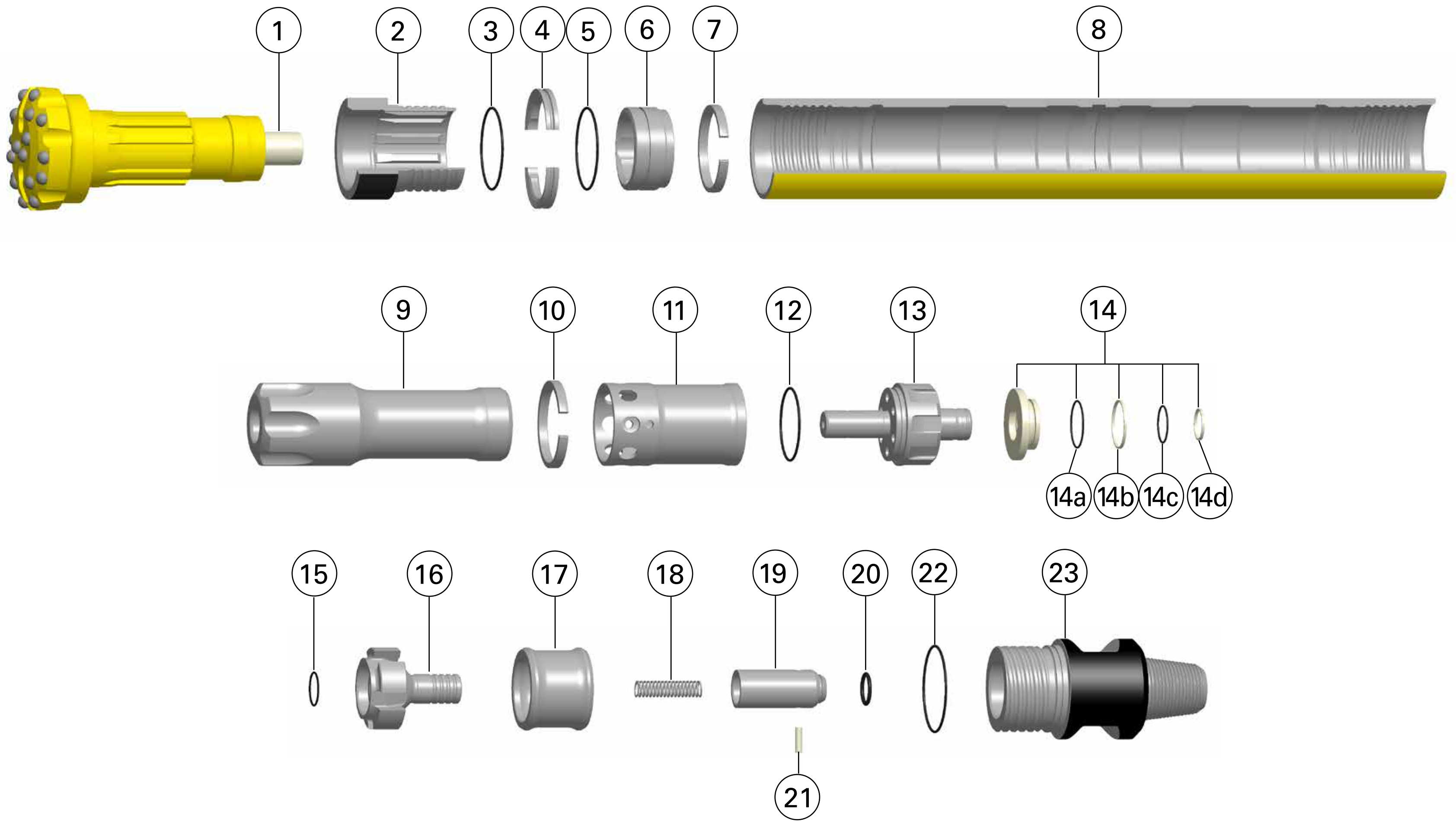


Secoroc QL 60/65

Down-the-hole hammer



Ref.	Part	Prod. No.	Product code
1	Exhaust tube	90514253	9283
2	Chuck QL 60	52324191	9706-QL-00-000-26-000-001
2	Chuck QL 65	52324233	9706-QL-00-000-26-H00-001
3	O-ring* (Bit retaining ring)	96086641	9706-QL-00-000-00-000-035
4	Bit retaining rings	51996031	9706-QL-00-000-26-000-A02
5	O-ring* (Bit bearing)	96086641	9706-QL-00-000-00-000-035
6	Bit bearing	51984607	9706-QL-00-000-26-000-A22
7	Lock Ring (Bit bearing)	51999068	9706-QL-00-000-00-000-058
8	Casing QL 60	52324209	9706-QL-00-000-00-000-004
8	Casing QL 65	52324225	9706-QL-00-000-00-H00-004
9	Piston	52324217	9706-QL-00-000-26-000-005
9	Piston QL 60 HF	52285228	9706-QL-HF-000-26-000-005
10	Lock ring (Cylinder)	-	-
11	Cylinder	51994663	9706-QL-00-000-00-000-048
11	Cylinder QL 60 HF	52310612	9706-QL-HF-000-00-000-048
12	O-ring* (Air distributor)	95325353	9706-QL-00-000-00-000-034
13	Air distributor	52082567	9706-QL-00-000-00-000-042
14	Valve assembly .050 Lift	52126265	9706-QL-00-000-00-000-A45
14	Valve assembly .065 Lift (not std)	52126794	9706-QL-HP-000-00-H00-A45
14a	O-ring (Valve)	-	-
14b	Seal-ring (Valve)	-	-
14c	O-ring (Valve)	-	-
14d	Seal-ring (Valve)	-	-
15	O-ring* (Valve cap)	95136479	9706-QL-00-000-00-000-029
16	Valve cap	52126299	9706-QL-00-000-00-000-074
17	Solid spacer	51997328	9706-QL-00-000-00-000-072
18	Spring (Check valve)	51600773	9706-QL-00-000-00-000-016
19	Check valve assembly	52099561	9706-QL-00-000-00-000-A17
20	O-ring* (Check valve)	95962668	9706-QL-00-000-00-000-018

Ref.	Part	Prod. No.	Product code
21	Choke plug solid**	50899137	9706-QL-00-000-00-000-180
21	Choke plug 1/8" **	50899129	9706-QL-00-000-00-000-181
21	Choke plug 1/4" **	50899111	9706-QL-00-000-00-000-182
22	O-ring* (Backhead)	95018727	9706-QL-00-000-00-000-019
23	Backhead QL60 STD 3 1/2" API Reg Pin	52324183	9706-QL-00-14P-00-000-020
23	Backhead QL60 HC 3 1/2" API Reg Pin	51994713	9706-QL-00-14P-00-0H0-020
23	Backhead QL65 QM 3 1/2" API Reg Pin	52324241	9706-QL-00-14P-00-HB0-020
23	Backhead QL60 2 7/8" IF Box	51998763	9706-QL-00-13B-00-000-020
23	Backhead QL60 2 7/8" IF Pin	51998771	9706-QL-00-12P-00-000-020
23	Backhead QL60 3 1/2" API Reg Box	51998789	9706-QL-00-14B-00-000-020
23	Backhead QL65 3 1/2" BECO Pin	51998821	9706-DH-00-B1P-00-000-020
	Separator (HC only)	51994267	9706-QL-00-000-00-0H0-076
	Preload O-ring (HC only)	95087094	9706-QL-00-000-00-0H0-069
	Separator O-ring (HC only)	95086435	9706-QL-00-000-00-0H0-078
	Check seal (HC only)	51994259	9706-QL-00-000-00-0H0-073

*O-rings not sold separately. Included in different kits, see table.

**Item 21: Choke plug 1/4" and choke plug 1/8" may be used to bypass more air to reduce pressure and/or increase bailing velocity.

Hammers and Kits	Prod. No.	Product code
QL 60 STD COMP 3-1/2" API Reg Pin	52324258	9706-QL-00-14P-26-000
QL 60 HF COMP 3-1/2" API Reg Pin	52310604	9706-QL-HF-14P-26-000
QL 60 HC COMP 3-1/2" API Reg Pin	52329091	9706-QL-00-14P-26-0H0
QL 65 QM COMP 3-1/2" API Reg Pin	52324266	9706-QL-00-14P-26-HB0
E-kit QL 60 3 1/2" API Reg Pin incl. item 2, 3, 5, 8, 12, 14, 15, 18, 20, 22, 23	52336849	9706-QL-00-14P-26-000-K40
E-kit QL 65 3 1/2" API Reg Pin incl. item 2, 3, 5, 8, 12, 14, 15, 18, 20, 22, 23	52336856	9706-QL-00-14P-26-H00-K40
Sustainability kit incl. item 3, 5, 12, 14, 15, 20, 22	52354542	9706-QL-00-000-00-000-K70
Sustainability kit High Flow incl. item 3, 5, 12, 14, 15, 20, 22	52354543	9706-QL-HP-000-00-H00-K70