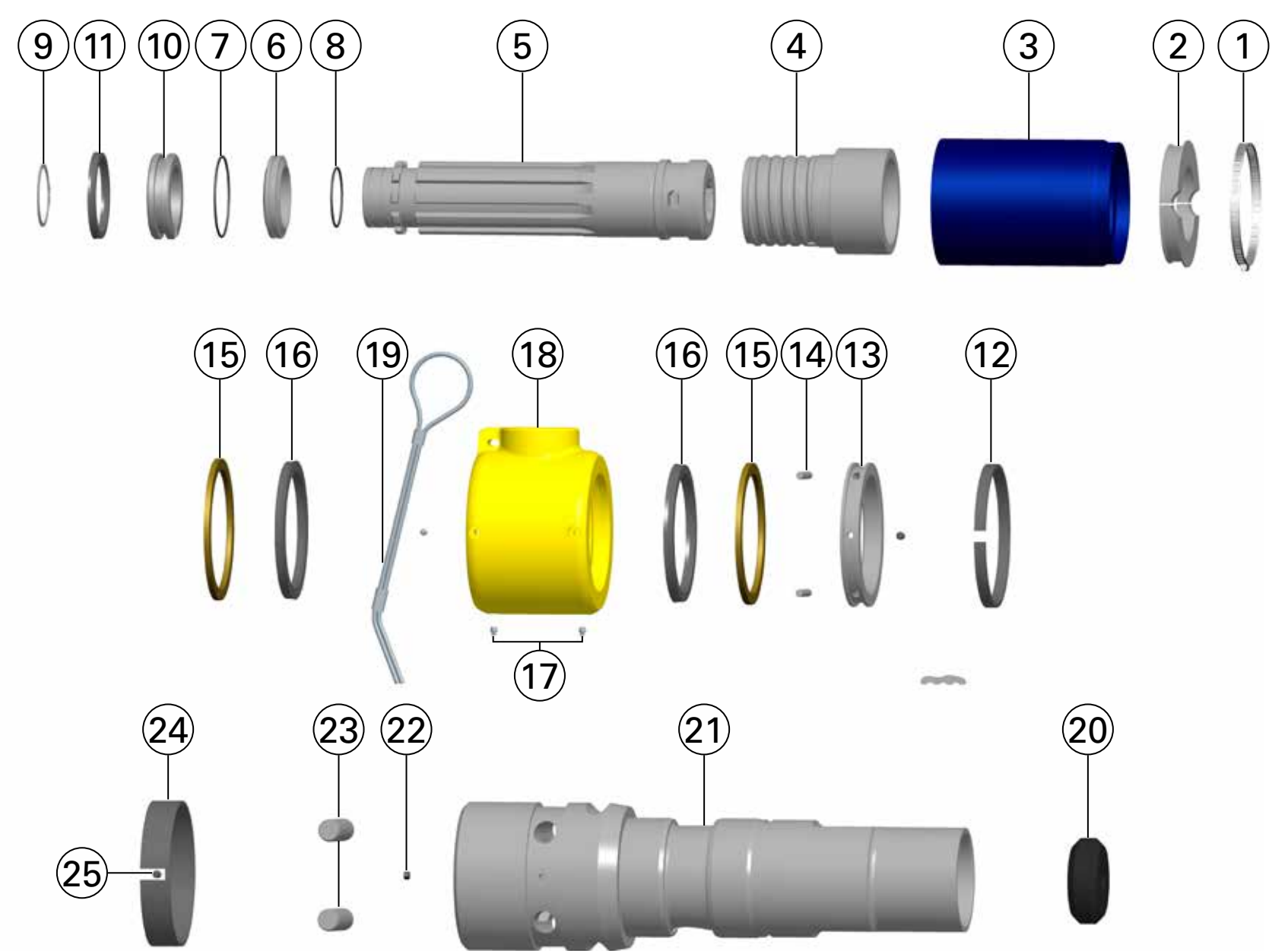
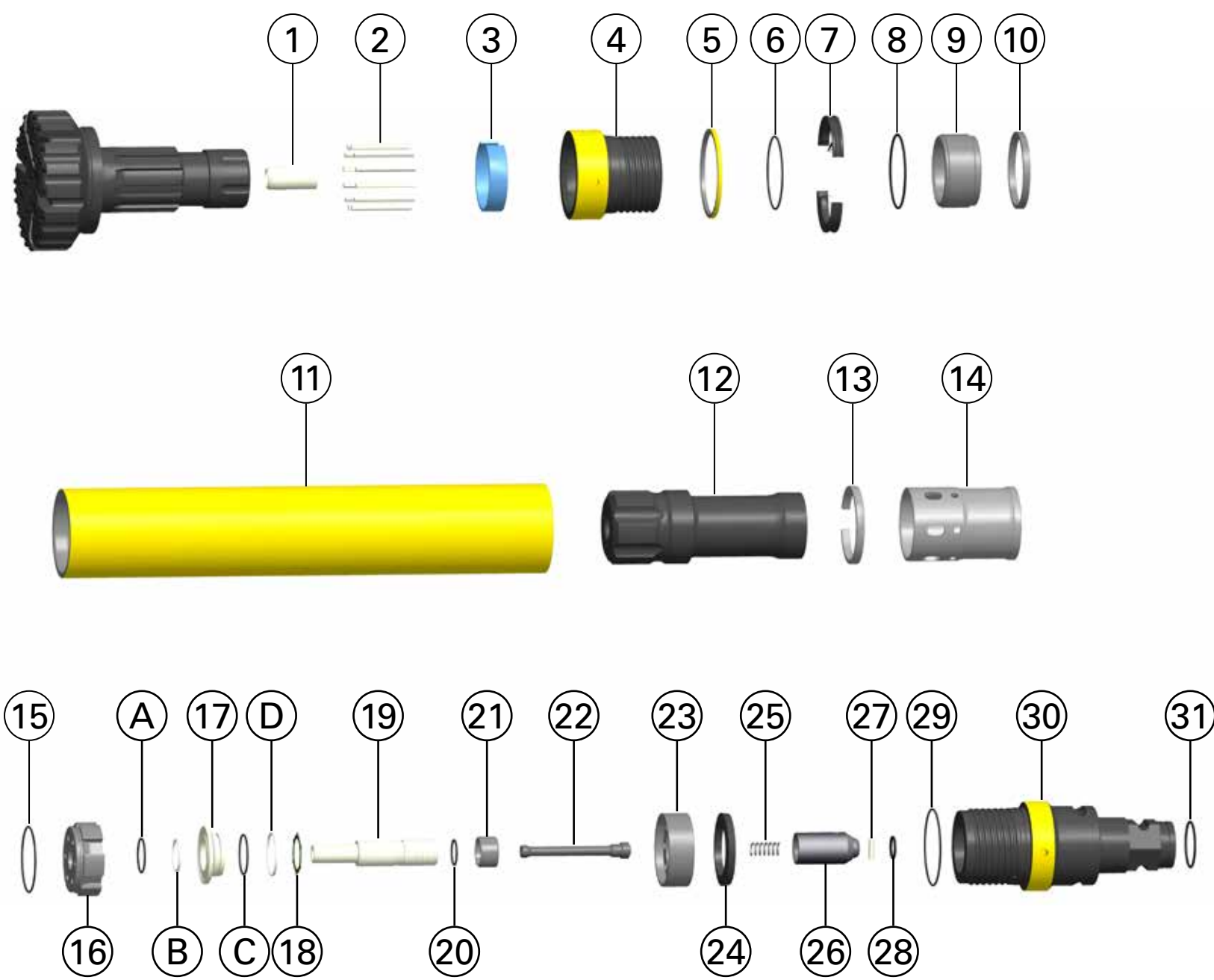


# PPD 120 hammer

## Utility Power Pole Drill



Ref.	Part	Prod. No.	Product code
1	Exhaust Tube	52342094	9326 - 52342094
2	Drive Pins 12 pcs. Required	52107604	9712-QL-00-000-00-000-061
3	Chuck bearing	52105699	9712-QL-00-000-65-000-065
4	Chuck	52346699	9712-QL-00-000-65-OWE-001
5	Breakout washer	52346665	9712-QL-00-18P-65-00W-053
6	O-Ring (bit retaining ring)	95379350	9712-QL-00-000-00-000-035
7	Bit retaining ring	52105640	9712-QL-00-000-65-000-002
8	O-Ring (bit bearing)	52107422	9712-QL-00-000-00-000-023
9	Bit bearing	52287562	9712-QL-00-000-65-000-022
10	Lock ring (bit bearing)	52105657	9712-QL-00-000-00-000-058
11	Casing	52105616	9712-QL-00-000-00-000-004
12	Piston	52105509	9712-QL-00-000-65-000-005
13	Lock ring (cylinder)	52105681	9712-QL-00-000-00-000-062
14	Cylinder	52105541	9712-QL-00-000-00-000-048
15	O-Ring (air distributor)	95379350	9712-QL-00-000-00-000-035
16	Air Distributor	52105525	9712-QL-00-000-00-000-042
17	Valve Assy.	52116209	9712-QL-00-000-00-000-A44
17 a	O-Ring (valve)	N/A	N/A
17 b	Seal ring (valve)	N/A	N/A
17 c	O-Ring (valve)	N/A	N/A
17 d	Seal ring (valve)	N/A	N/A
18	Valve shim	52127594	9712-QL-00-000-00-000-072
19	Distributor Guide	89010385	9712-QL-00-000-00-000-046
20	O-Ring (guide)	95087086	9712-QL-00-000-00-000-034
21	Sleeve	52105608	9712-QL-00-000-00-000-091
22	Guide Liner	52105566	9712-QL-00-000-00-000-052
23	Valve Cap	52105533	9712-QL-00-000-00-000-074
24	Bellville Spring	52105590	9712-QL-00-000-00-000-013
25	Spring (check valve)	51989259	9712-QL-00-000-00-000-016
26	Check Valve Assy. (with o-ring)	89010386	9712-QL-00-000-00-000-017
27	Choke Plug (solid)	51991305	9720-QL-00-000-00-000-180
27	Choke Plug (3/8)	51991313	9720-QL-00-000-00-000-181
27	Choke Plug (1/2)	51991321	9720-QL-00-000-00-000-182
28	O-Ring (check valve)	52097896	9720-QL-00-000-00-000-036
29	O-Ring (backhead)	95402913	9712-QL-00-000-00-000-019
30	Backhead	52354517	9712-59-55-00-020
31	O-Ring	95018297	0663-95018297

Ref.	Part	Prod. No.	Product code
1	Clamp	51777613	9712-00-45-00,51777613
2	Adapter (dust cover)	51777605	9712-00-45-00,51777605
3	Dust cover	51777597	9712-00-45-00,51777597
4	Chuck	50984830	9708-DH-00-000-38-000-001
5	Drive shank	89010034	9712-00-55-00,89010034
6	Shank retainers	89010036	9712-00-55-00,89010036
7	O-Ring (shank retainers)	95086674	0663-95086674
8	O-Ring (drive shank)	95086716	0663-95086716
9	Retaining ring	89010033	9712-00-55-00,89010033
10	Piston	89010032	9712-00-55-00,89010032
11	Seal (piston)	89010030	9712-00-55-00,89010030
12	Retainer band	51385268	9712-00-45-00,51385268
13	Swivel retainer	51385276	9712-00-45-00,51385276
14	Swivel pin	51385250	9712-00-45-00,51385250
15	Thrust washer	51358232	9712-PD-00-000-36-000-068
16	Seal (housing)	51385300	9712-PD-00-000-00-000-176
17	Grease fitting	95201281	9712-PD-00-000-00-000-088
18	Housing (air swivel)	51357689	9712-PD-00-000-00-000-174
19	Hose Restraint (safety cable)	57358145	9712-PD-00-000-00-000-Pxx
20	Cushion	89010031	9712-00-55-00,89010031
21	Stem	89010035	9712-PD-00-000-00-000-087
22	Orifice plug	51793875	9712-PD-00-000-00-000-008
23	Pin (stem)	51358224	9712-00-45-00,51358224
24	Retaining ring (stem)	51358240	9712-00-45-00,51358240
25	Plug (retaining ring)	52353547	9712-00-45-52353547

Hammer & Accessorys	Prod. No.	Product code
PPD120 with Air Swivel	52354523	9712-PD-00-H6P-36-000
16.75 inch Oversleeve for hole diameter greater than 17.25"	52354589	9712-PD-00-000-00-H00-A83
20 inch Oversleeve for hole diameter greater than 20.50"	89010038	9712-PD-00-000-00-000-A83
22 inch Oversleeve for hole diameter greater than 22.50"	89010040	9722-PD-00-000-00-000-A83
Extension Rod 72 inches	51792232	9712-PD-00-000-00-000-171
Air control, lubricator and liquid injection suport module	51776011	9712-00-45-00,51776011
Sustainability kit PPD120 hammer	52354648	9712-QL-00-000-00-000-K70