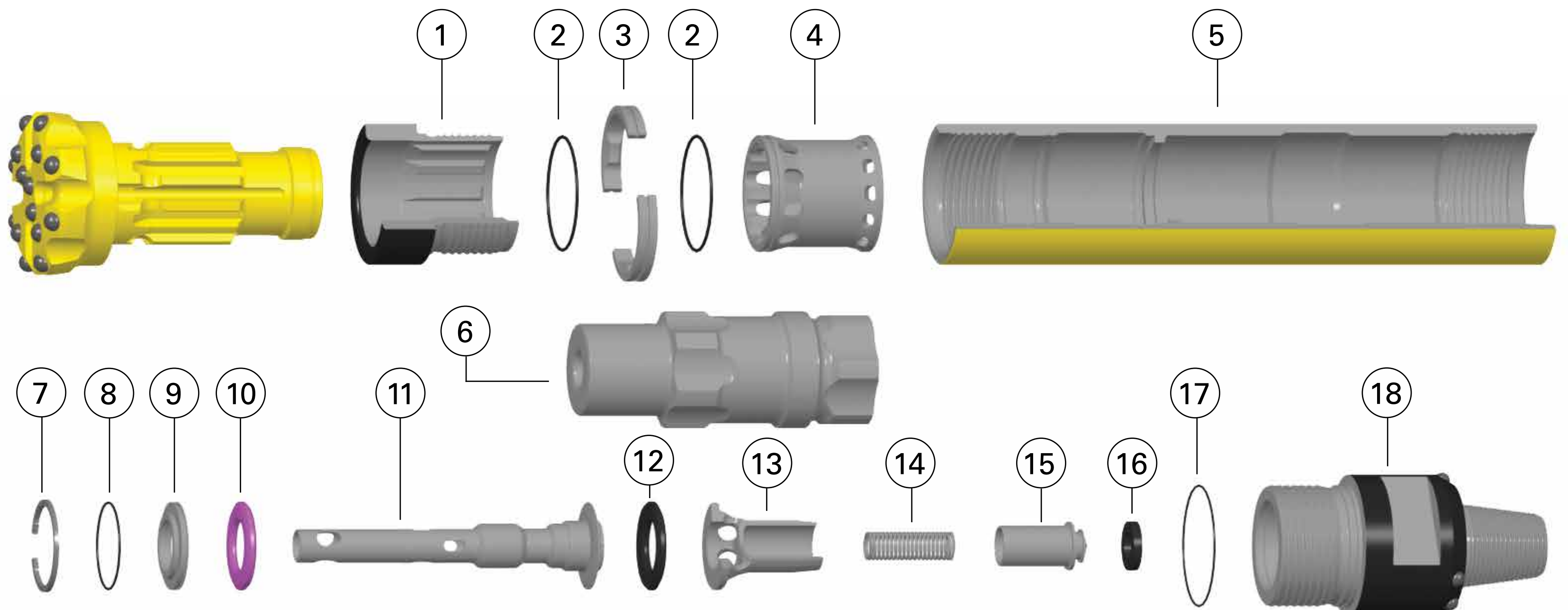


Secoroc COP 66

Down-the-hole hammer



Ref.	Part	Prod. No.	Product code
1	Chuck	89010408	9706-CX-00-000-01-H00-001
2	O-ring* for Bit retaining ring & bushing		
3	Bit retaining ring assembly incl. O-ring	89010409	9706-CX-00-000-01-000-A02
4	Bushing assembly incl. O-ring	89010410	9706-CX-00-000-01-000-A22
5	Casing	89010411	9706-CX-00-000-00-H00-004
6	Piston	89010412	9706-CX-00-000-01-000-005
7	Circlip	89010413	9706-CX-00-000-00-000-028
8	O-ring* for Retainer, control tube		
9	Retainer, control tube	89010414	9706-CX-00-000-00-000-068
10	Lower buffer	89000867	9706-CO-00-000-00-000-011
11	Control tube	89010415	9706-CX-00-000-00-000-007
12	Upper buffer	89000050	9706-CO-00-000-00-000-009
13	Valve body	89010416	9706-CX-00-000-00-000-015
14	Spring for Check valve	89001265	9705-CO-00-000-00-000-016
15	Check valve	89001266	9705-CO-00-000-00-000-017
16	Seal for Check valve	89001072	9705-CO-00-000-00-000-018
17	O-ring* for Backhead		
18	Backhead assembly for QM version, 3 1/2" API Reg Pin, incl. O-ring	89010417	9706-CX-00-14P-00-HB0-A20

*O-rings not sold separately. Included in different kits - see table.

Hammers and Kits	Prod. No.	Product code
COP 66 QM complete, 3 1/2" API Reg Pin	89010407	9706-CX-00-14P-01-HB0
O-ring kit incl. item 4x2, 8, 10, 12, 16, 17	89010418	9706-CX-00-000-00-000-K47
Economy kit, 3 1/2" API Reg Pin, incl. item 1, 4x2, 5, 7, 8, 10, 12, 17, 18	89010419	9706-CX-00-14P-01-HB0-K40

Wear limits		
Casing	Min. OD	132 mm
Bit bushing	Max. ID	95,2 mm
Piston seal area / Casing clearance	Max.	0,2 mm
Piston / Control tube	Max.	0,2 mm
Piston / Bit bushing	Max.	0,3mm