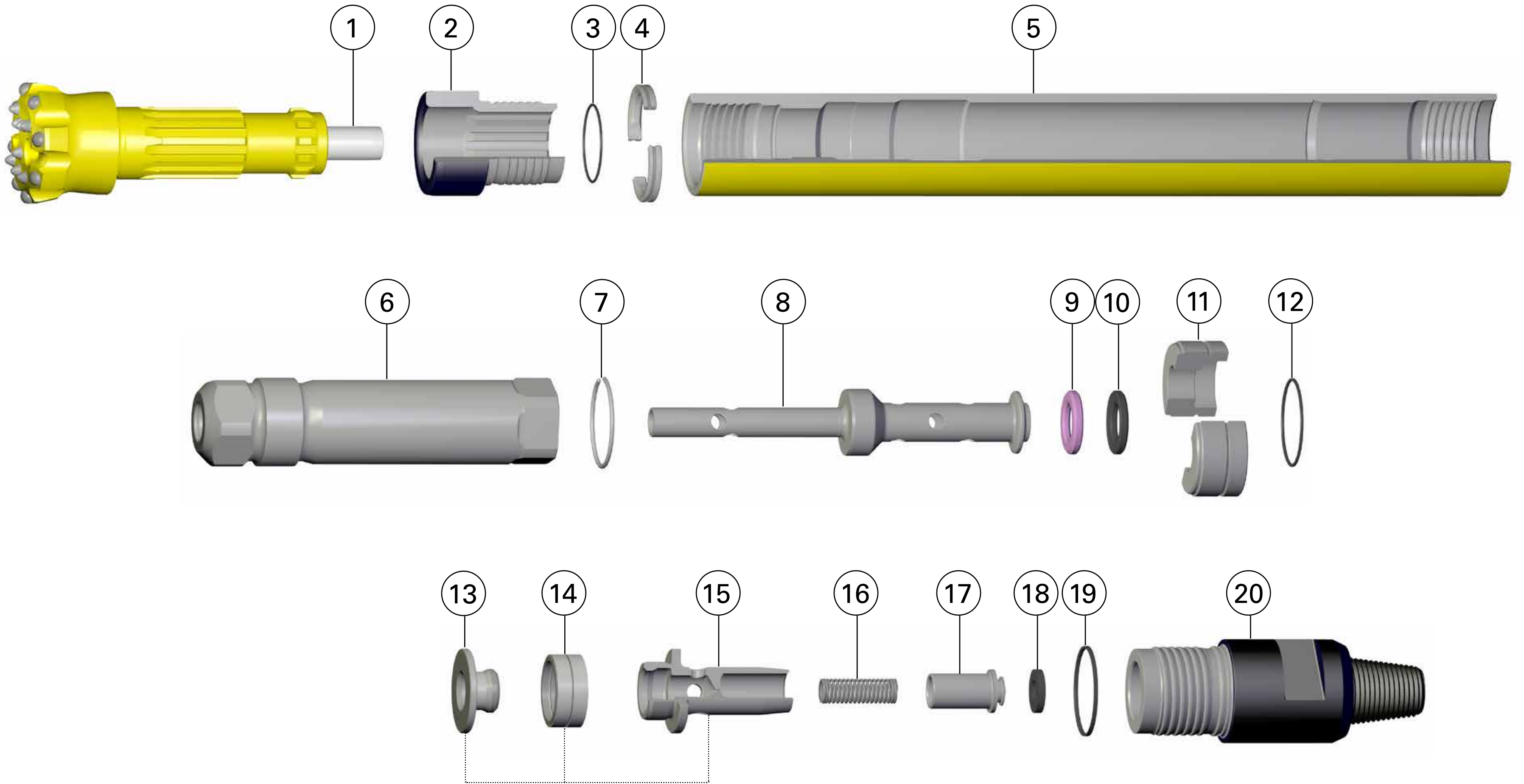


# Secoroc COP 44 Gold

## Down-the-hole hammer



Ref.	Part	Prod. No.	Product code
1	Exhaust tube	90516004	9115
2	Driver chuck	89001475	9704-CG-00-000-64-000-001
2	Driver chuck with Guide 114mm	89010161	9704-CG-00-000-64-00G-001
3	O-ring* for Bit retaining ring	-	-
4	Bit retaining ring assembly incl. O-ring	89001476	9704-CG-00-000-64-000-A02
5	Casing	89001478	9704-CG-00-000-00-000-004
5	Casing with Guide 114mm	89010162	9704-CG-00-000-00-G00-004
6	Piston	89001477	9704-CG-00-000-64-000-005
7	Lock ring	89001480	9704-CG-00-000-00-000-006
8	Control tube	89001479	9704-CG-00-000-00-000-007
9	Lower buffer	89001482	9704-CG-00-000-00-000-011
10	Upper buffer	89001481	9704-CG-00-000-00-000-009
11	Cover assembly incl. O-ring	89001483	9704-CG-00-000-00-000-021
12	O-ring* for Cover	-	-
13	Spring stop incl. in item 14	-	-
14	Friction spring set assembly	89001484	9704-CG-00-000-00-000-A10
15	Valve body incl. in item 14	-	-
16	Spring check valve	89001019	9704-CO-00-000-00-000-016
17	Check valve assembly incl. seal	89001020	9704-CO-00-000-00-000-017
18	Seal check valve	89001021	9704-CO-00-000-00-000-018
19	O-ring* for Backhead	-	-
20	Backhead assembly, 2 3/8" API Reg Pin, incl. O-ring	89001470	9704-CG-00-10P-00-000-A20
20	Backhead assembly, 2 7/8" API Reg Pin, incl. O-ring	89001579	9704-CG-00-12P-00-000-A20

Ref.	Part	Prod. No.	Product code
20	Backhead assembly, CUBEX #24 incl. O-ring*	89001472	9704-CG-00-48P-00-000-A20
	incl. circlip (CUBEX only)	44000234	0335-2147-00
	incl. O-ring (CUBEX only)	86007926	0663-9197-00
	Washer, incl. in 8607926 (CUBEX only)		

\*O-rings not sold separately. Included in different kits below.

Hammers and Kits	Prod. No.	Product code
COP 44 Gold complete, 2 3/8" API Reg Pin	89001469	9704-CG-00-10P-64-000
COP 44 Gold complete, 2 7/8" API Reg Pin	89001573	9704-CG-00-12P-64-000
COP 44 Gold complete, CUBEX #24	89001471	9704-CG-00-48P-64-000
COP 44 Gold complete, 2 3/8" API Reg Pin with guided casing, OD 114mm	89010163	9704-CG-00-10P-64-G00
COP 44 Gold complete, 2 3/8" API Reg Pin with guided casing and chuck, OD 114mm	89010326	9704-CG-00-10P-64-G0G
O-ring kit incl. item 5x3, 12, 19	89001487	9704-CG-00-000-00-000-K47
Economy kit, 2 3/8" API Reg Pin incl. item 2, 5x3, 5, 7, 9, 10, 12, 19, 20	89001473	9704-CG-00-10P-64-000-K40
Economy kit, 2 7/8" API Reg Pin incl. item 2, 5x3, 5, 7, 9, 10, 12, 19, 20	89001580	9704-CG-00-12P-64-000-K40
Economy kit, CUBEX #24 incl. item 2, 5x3, 5, 7, 9, 10, 12, 19, 20	89001474	9704-CG-00-48P-64-000-K40

Wear limits		
Casing	Min. OD	92 mm
Piston / Casing clearance	Max.	0,2 mm
Piston / Control tube	Max.	0,2 mm
Foot valve	Min. OD	32,05 mm
Exhaust tube protrusion		57 +/- 1 mm