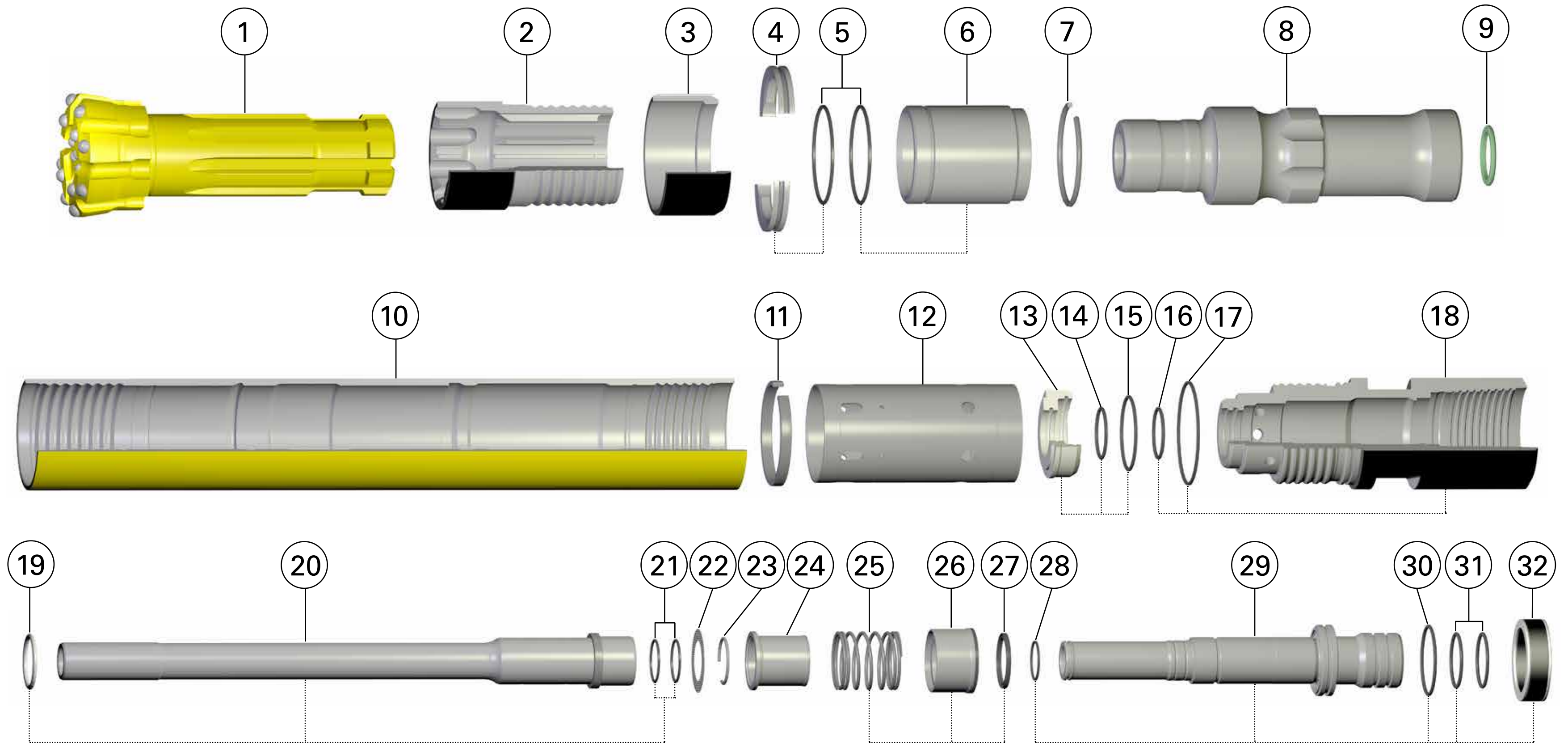


Secoroc RC 50

Reverse Circulation DTH-hammer



Ref.	Part	Prod. No.	Product code
1	Bit, drop center, extra flushing 136 mm (5 3/8") 140 mm (5 1/2") 143 mm (5 5/8") 146 mm (5 3/4") 152 mm (6") 165 mm (6 1/2")	90516434 90516432 90516472 90516433 90516558 90516435	10E-5136-97-7217,08-20 10E-5140-97-7217,08-20 10E-5143-97-7217,08-20 10E-5146-97-7217,08-20 10E-5152-97-7217,08-20 10E-5165-97-7217,08-20
2	Chuck	52291887	9705-00-67-00-001
2 (Aus)	Solid Chuck (no sleeve needed)	52348141	9705-00-65-37-001
3	Chuck sleeve 134 mm (5.27") 137 mm (5.39") 140 mm (5.51") 144 mm (5.67") 147 mm (5.79") 150 mm (5.90") 163 mm (6.42")	52291606 52291614 52348257 52291622 52348612 52348620 52343696	9705-00-63-34-078 9705-00-63-37-078 9705-00-63-40-078 9705-00-63-44-078 9705-00-63-47-078 9705-00-63-50-078 9705-00-63-63-078
4, 5	Bit retaining ring assembly	52292331	9705-00-63-00-002
4	Bit retaining ring (not sold separately)	---	---
5	O-ring	95086641	0663-95086641
5, 6	Bit bearing assembly	52291853	9705-00-63-00-022
5	O-ring	95086641	0663-95086641
6	Bit bearing (not sold separately)	---	---
7	Bit bearing lock ring	52346780	9705-00-63-00-058
8	Piston	52292018	9705-00-63-00-005
9	Piston tail seal	52292067	9705-00-63-00-054
10	Casing	52347655	9705-00-63-00-004
11	Inner cylinder lock ring	52292000	9705-00-63-00-062
12	Inner cylinder	52291630	9705-00-63-00-048
13,14,15	Valve assembly - consists of:	52344074	9705-00-63-00-042
13	Valve body (not sold separately)	---	---
14	O-ring	95137394	0663-95137394
15	O-ring	95716833	0663-95716833

Ref.	Part	Prod. No.	Product code
16,17,18	Backhead assembly - consists of:	52347648	9705-52-63-00-020
16	Backhead O-ring, inner seal	95018701	0663-95018701
17	Backhead O-ring	95086666	0663-95086666
18	Backhead (not sold separately)	---	---
19,20,21	Center tube assembly	52344066	9705-00-63-00-120
19	Bumper ring	95136669	0663-95136669
20	Center tube (not sold separately)	---	---
21	O-ring	95086195	0663-95086195
22	Debris screen	52346723	9705-00-63-00-012
23	Check valve retaining ring	52346632	9705-00-63-00-028
24	Check valve seat	52346616	9705-00-63-018
25,26,27	Check valve assembly	52348638	9705-00-63-017
25	Spring	52346624	9705-00-63-00-016
26	Check valve body (not sold separately)	---	---
27	Polypack seal	52346715	9705-00-63-00-036
28,29,30,31	Adapter tube assembly	52348182	9705-00-63-00-094
28	O-ring, bottom	95086153	0663-95086153
29	Adapter tube (not sold separately)	---	---
30	O-ring, middle	95086591	0663-95086591
31	O-ring, top	95018453	0663-95018453
32	Crush ring	52341898	9705-00-63-00-014

MAINTENANCE KITS	Prod. No.	Product code
Seal kit - Includes: 5, 9, 16, 17, 21, 28, 30, 31	52345147	0663-52345147
Service kit - Includes: 22, Valve assembly (13,14,15), Check valve assembly (25,26,27) & Seal kit	52348653	9705-00-63-00-070
Rebuild kit - Includes: 2, 10, Backhead assembly (16,17,18) & Service kit	52351426	9705-52-67-00-040