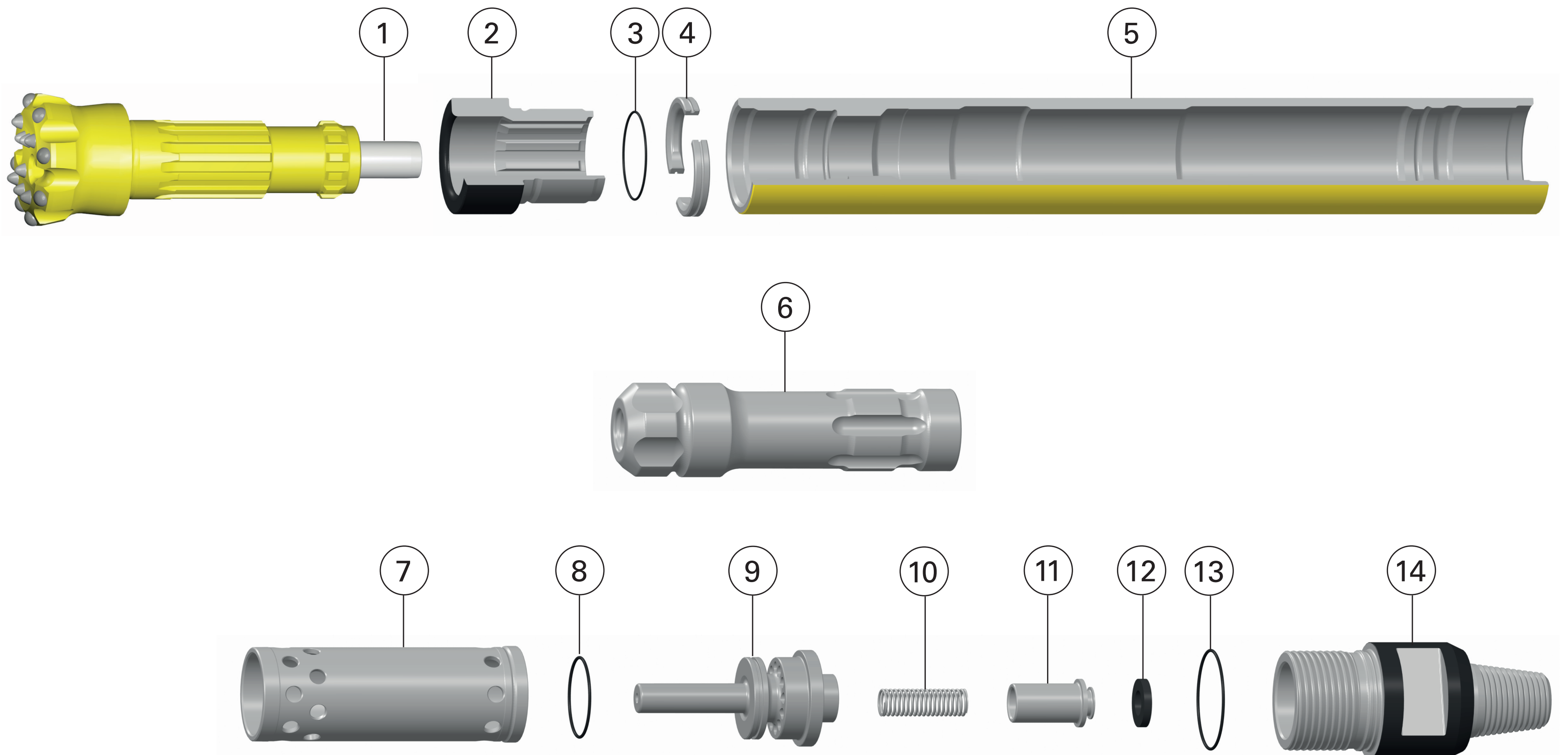


Secoroc COP W4

Down-the-hole hammer



Ref.	Part	Prod. No.	Product code
1	Exhaust tube	90516004	9115
2	Driver chuck	89012214	9704-WW-00-000-64-000-001
3	O-ring* for Bit retaining ring	-	-
4	Bit retaining ring assembly, incl. O-ring	89012206	9704-WW-00-000-64-000-A02
5	Casing	89012205	9704-WW-00-000-00-000-004
6	Piston	89012213	9704-WW-00-000-64-000-005
7	Cylinder	89012212	9704-WW-00-000-00-000-048
8	O-ring* for Air distributor	-	-
9	Air distributor, incl. O-ring	89012217	9704-WW-00-000-00-000-A42
10	Spring check valve	89012216	9704-WW-00-000-00-000-016
11	Check valve assembly incl. seal	89001020	9704-CO-00-000-00-000-017
12	Seal check valve	89001021	9704-CO-00-000-00-000-018
13	O-ring* for Backhead assembly	-	-
14	Backhead assembly, 2 3/8" API Reg Pin, incl. O-ring	89012211	9704-WW-00-10P-00-000-A20

*O-rings not sold separately. Included in different kits.

Hammers and Kits	Prod. No.	Product code
COP W4 complete, 2 3/8" API Reg Pin	89012204	9704-WW-00-10P-64-000
Economy kit (incl. items 2, 5, 14)	89012218	9704-WW-00-10P-64-000-K40
O-ring kit (incl. items 3, 8, 13)	89012219	9704-WW-00-000-00-000-K47
Check valve kit (incl. items 10, 11, 12)	89012215	9704-CO-00-000-00-000-A17

Wear limits		
Casing, lower end	Min. OD	91 mm
Casing, upper end	Min. OD	93 mm
Piston / Casing clearance	Max.	0,2 mm
Piston / Control tube	Max.	0,2 mm
Foot valve	Min. OD	32,1 mm
Exhaust tube protrusion		57 +/- 1 mm